

FEATURES

- Ideal for transmitter applications
- Quartz stability
- Ultra miniature SMD package
- PbFree/RoHS Compliant



PART NUMBERING GUIDE "EXAMPLE"

PART NUMBER	FREQUENCY ABBREVIATION (315.000 MHZ)	TAPE & REEL (1K/REEL)
ECS - 3150 - TR	3150	TR

Sample Part Number: ECS-DR1-3150-TR

OPERATING CONDITIONS/ELECTRICAL CHARACTERISTICS

PARAMETERS	CONDITIONS	ECS-SDR1-3150			ECS-SDR1-4180			ECS-SDR1-4339			UNITS
		MIN	TYP	MAX	MIN	TYP	MAX	MIN	TYP	MAX	
CENTER FREQUENCY (fo)		314.925	315.000	315.075	418.925	418.000	418.075	433.845	433.920	433.995	MHz
FREQUENCY TOLERANCE				± 75			± 75			± 75	KHz
INSERTION LOSS			1.5	2.2		1.6	2.0		1.5	2.5	dB
QUALITY FACTOR	Unloaded		12,200			12,100			11,000		Q
	50Ω Unloaded		1,500			2,000			2,000		Q
TEMPERATURE STABILITY	Temperature Coefficient		0.032			0.032			0.032		ppm/°C
FREQUENCY AGING			<± 10			<± 10			<± 10		ppm/Yr
DC INSULATION RESISTANCE		1.0			1.0			1.0			MΩ
MOTIONAL RESISTANCE	R ₁		14	25		20	26		18	26	Ω
MOTIONAL INDUCTANCE	L ₁		86			91			86		pH
MOTIONAL CAPACITANCE	C ₁		2.95			1.6			1.56		fF
SHUNT CAPACITANCE	C ₀		2.4	2.7		2.0	2.3		2.0	2.3	pF
OPERATING TEMPERATURE		-40		+85	-40		+85	-40		+85	°C
STORAGE TEMPERATURE		-40		+85	-40		+85	-40		+85	°C

PACKAGE DIMENSIONS (mm)

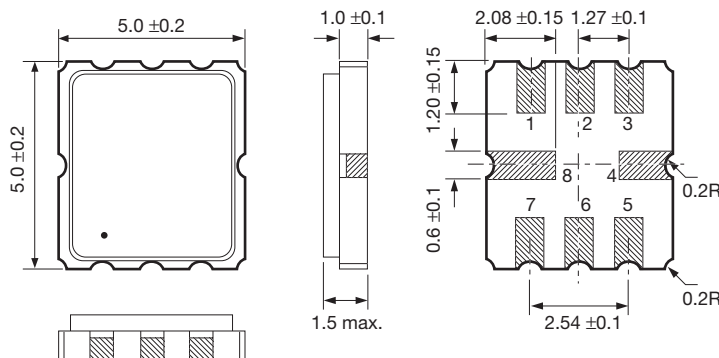


Figure 1) Top, Side and Bottom views

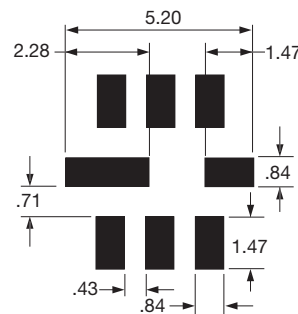


Figure 2) Land Pattern

PIN CONNECTIONS	
#1	No Connect
#2	Input
#3	No Connect
#4	Ground
#5	No Connect
#6	Output
#7	No Connect
#8	Ground