

PACKAGE DIMENSIONS (mm)

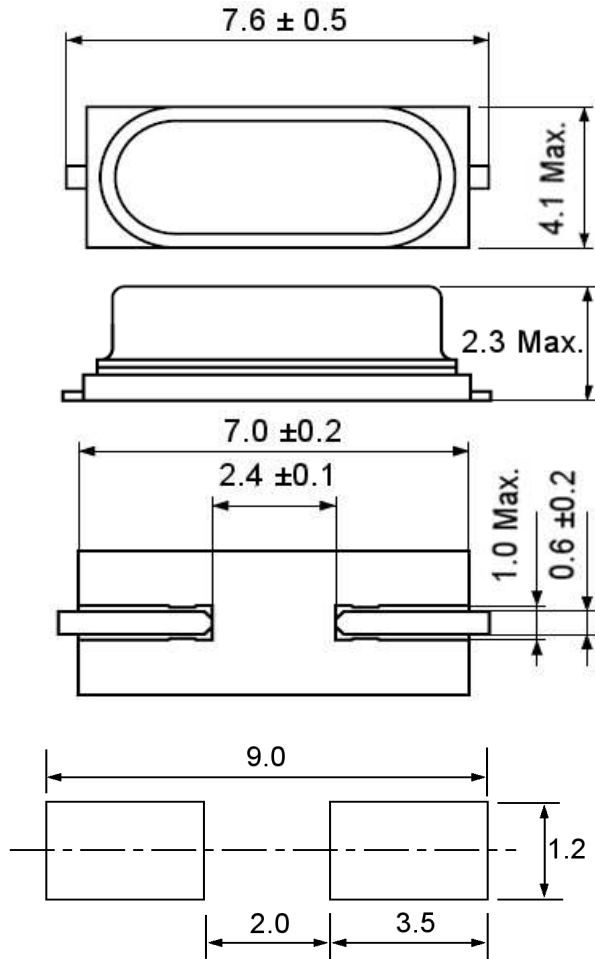


Figure 1) Top, Side, Bottom Views and Land

* This crystal has been qualified by Linear Technology for use with the Eterna mesh-networking family of products. Network operation relies on timing more precise than provided by the crystal accuracy itself, requiring that crystals be characterized and qualified.

REVISIONS			
REV	DESCRIPTION	DATE	APPROVED

ELECTRICAL SPECIFICATIONS

Frequency: 20.000000 MHz
 Frequency Tolerance @ +25°C: ± 10 ppm Max.
 * Frequency Stability -40 to +85°C: ± 30 ppm Max.
 Crystal Cut: AT Strip
 Load Capacitance (CL): 10 pF
 Recommended Drive Level: 500 µW Max.
 Effective Series Resistance: 50 Ω Max.
 Shunt Capacitance: 7 pF Max.
 Mode of Operation: Fundamental
 Aging (first year): ± 3 ppm/ Max.
 Storage Temperature: -60 to +105°C
 Operating Temperature: -60 to +105°C
 Package Type: CSM-3X

ECS Part Number: ECS-200-CDX-0914



ECS INC. INTERNATIONAL 1105 S. Ridgeview Olathe, KS 66062 (913) 782-7787		
TITLE		20.000 MHz Crystal, CSM-3X Pb Free/RoHS Compliant
SIZE A	DWG NO. ECS-200-CDX-0914	REV
CAGE CODE: 1G8B7		SHEET 1 OF 1

SIGNATURES	DATE
DRN BL	1/6/2012
CHK RC	1/6/2012
APP DK	1/6/2012
Dimensions in mm	