

### Features

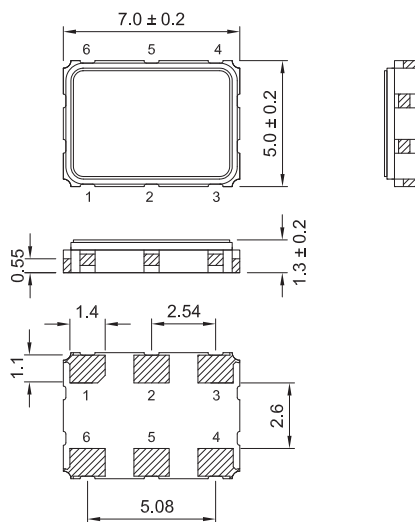
- > Voltage Controlled Crystal Oscillator (VCXO).
- > Fundamental solution.
- > PECL output, output frequencies 60 MHz to 220 MHz.
- > Excellent low phase noise and jitter.
- > Tri-State function available.
- > Applications : SDH/ SONET.
- > RoHS Compliant / Pb Free.

### Electrical Specifications

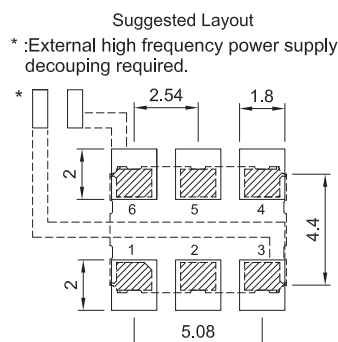
Item / Type	BJ
Output Type	LVPECL
Output Load	50 to VDD - 2 V
Oscillation Mode	Fundamental
Supply Voltage	3.3 V
Frequency Range	60 ~ 220 MHz
Frequency Stability / Operating Temperature	± 50 ppm / - 40 ~ + 85 °C
Storage Temperature Range	- 55 ~ + 125 °C
Voltage Vol ( Max. ) / Voh ( Min. )	VDD - 1.62 V / VDD - 1.025 V
Rise ( Tr ) / Fall ( Tf ) Time ( 20 % ~ 80 % )	1 ns Max.
Supply Current	80 mA
Symmetry	45 ~ 55 %
Start-up Time	10 ms Max.
Absolute Pulling Range ( APR ) *	± 100 ppm Min. or specify
Nominal Control Voltage	1.65 V
Control Voltage Range	0 ~ 3.3 V
Linearity	± 10 % Max.
Phase Jitter ( 12 KHz ~ 20 MHz )	1 ps Max.

\* APR=(Pull Range) - (Degrations due to initial tolerance, operating temperature, supply voltage variation and aging)

### Dimensions



- PAD FUNCTION:
- 1: CONTROL VOLTAGE
  - 2: ENABLE CONTROL
  - 3: GND
  - 4: OUT
  - 5: ~OUT
  - 6: VDD



Units:mm

Remark : Specification subject to change without prior notice. Please confirm with our sales.