

Sales Outline Drawing

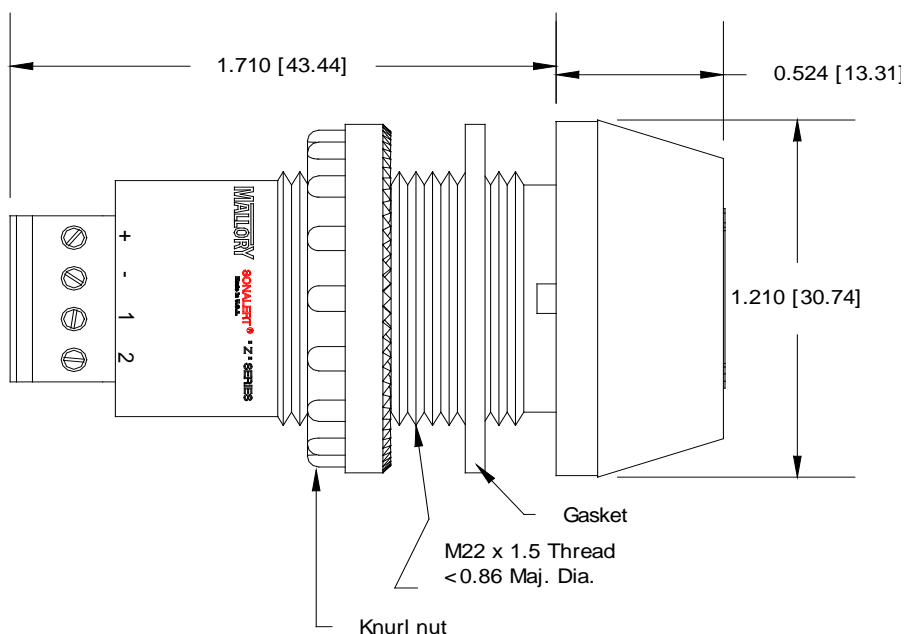
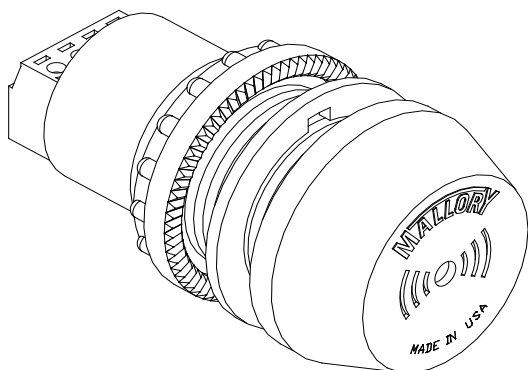
Specifications:

| | | | | |
|------------------------|---|--|--|---|
| Sound Level Category: | Loud | Loud | Loud | Loud |
| Mode of Operation: | Continuous | Slow Pulse @ 1 PPS | Fast Pulse @ 10 PPS | Chime @ Once per 3 Seconds |
| Loudness @ 2 FT: | 85 to 95 dB(A) Typ. | 85 to 95 dB(A) Typ. | 85 to 95 dB(A) Typ. | 85 to 95 dB(A) Typ. |
| Pulse Rate (PPS): | | 1 | 10 | 0.33 |
| Frequency: | 3300 ± 500 Hz | 3300 ± 500 Hz | 3300 ± 500 Hz | 3400 Hz |
| Connection: | "+" to Positive, "-" to Ground | "+" to Positive, "-" and "1" to Ground | "+" to Positive, "-" and "2" to Ground | "+" to Positive, "-", "1" and "2" to Ground |
| Voltage Rating: | 6 to 16 VDC | | | |
| Current Draw: | 40mA MAX | | | |
| Housing Material: | 6/6 Nylon, Color: Black | | | |
| Storage Temperature: | -40° to +55°C | | | |
| Operating Temperature: | -30° to +50°C | | | |
| Panel Mounting: | Recommended hole size is 22.5 mm. Thread front will fit standard 22.5mm hole. | | | |
| Knurled Nut: | Used to attach part to panel. The max recommended torque is 10 in-lbs. | | | |
| Weight (Typical): | 28 g | | | |
| NEMA 3R,4X, & 12: | Approved with use of ACC03. | | | |
| Options: | Please contact factory. | | | |

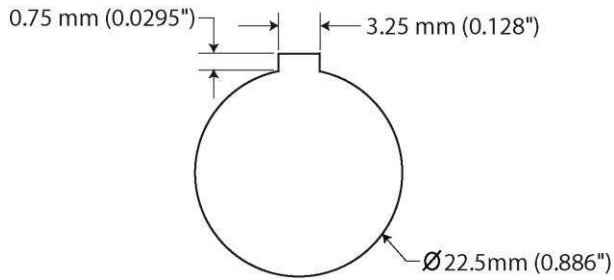
Dimensions: Inches (mm)

cUL Recognized

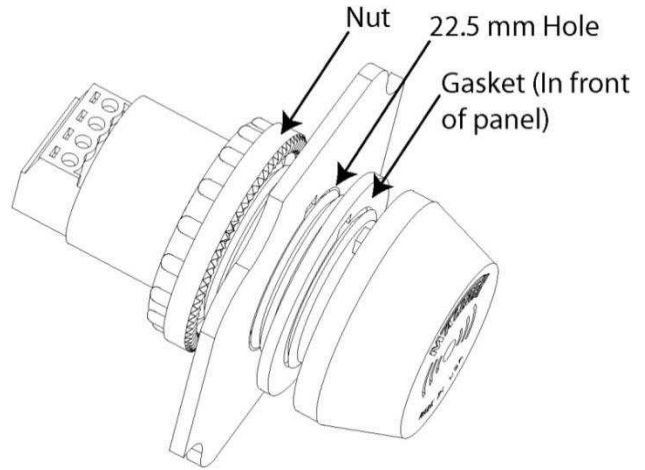
ROHS Compliant



Mounting Instructions

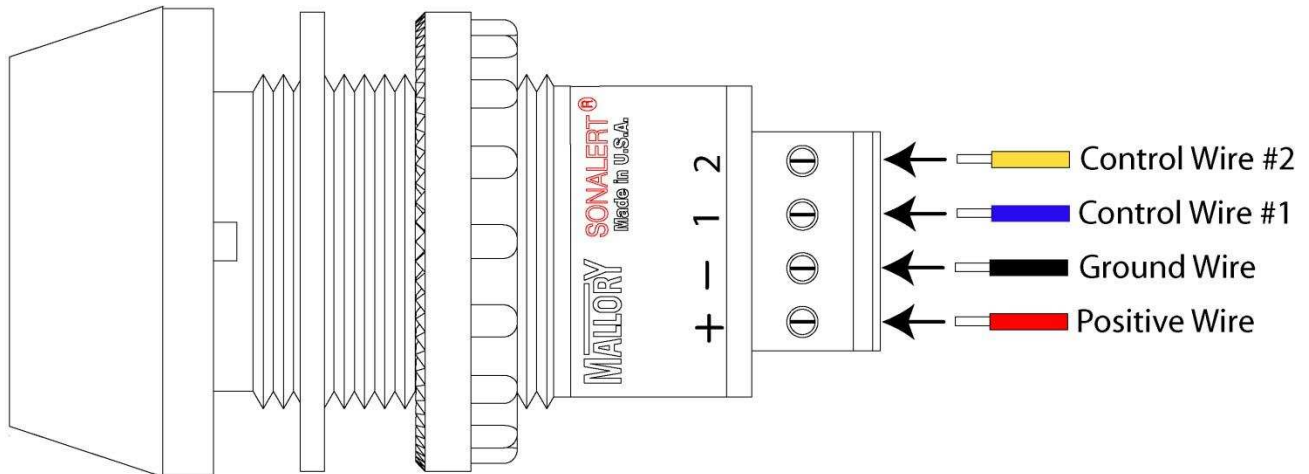


Panel Hole Cut Out



- Panel Hole Size 22.5 mm with Keyway
- Maximum Panel Thickness 12.7 mm (0.5 in)
- Maximum Nut Torque 10 in-lbs (1.13 n-m)

Terminal Block Connection



- Wire Strip Length 6.5 mm (0.256 in)
- Wire Size 30 to 16 AWG
- Maximum Screw Torque 2 in-lbs (0.226 n-m)