



Mallory Sonalert Products, Inc.

Part #: **ZA016LDMT3**

Sales Outline Drawing

Revision: **B**

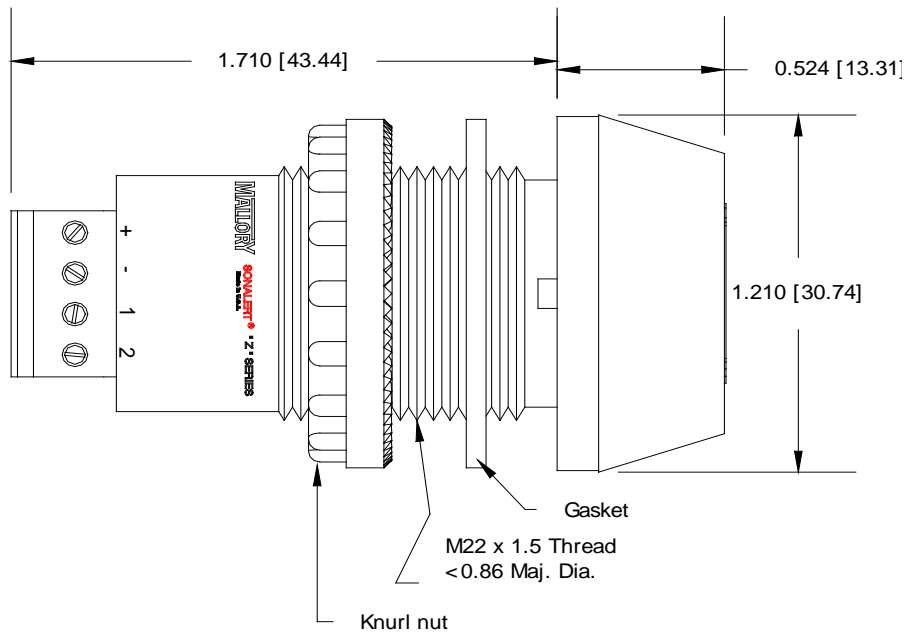
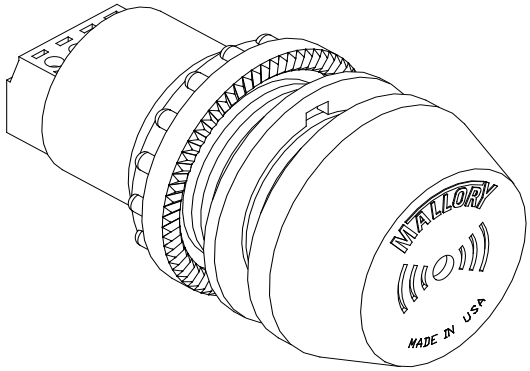
Specifications:

Sound Level Category:	Loud	Loud	Loud	Loud
Mode of Operation:	Continuous	Slow Pulse @ 1 PPS	Fast Pulse @ 10 PPS	Chime @ Once per 1 Second
Loudness @ 2 FT:	85 to 95 dB(A) Typ.	85 to 95 dB(A) Typ.	85 to 95 dB(A) Typ.	85 to 95 dB(A) Typ.
Pulse Rate (PPS):		1	10	1
Frequency:	3300 ± 500 Hz	3300 ± 500 Hz	3300 ± 500 Hz	3400 Hz
Connection:	"+" to Positive, "-" to Ground	"+" to Positive, "-" and "1" to Ground	"+" to Positive, "-" and "2" to Ground	"+" to Positive, "-", "1" and "2" to Ground
Voltage Rating:	6 to 16 VDC			
Current Draw:	40mA MAX			
Housing Material:	6/6 Nylon, Color: Black			
Storage Temperature:	-40° to +55°C			
Operating Temperature:	-30° to +50°C			
Panel Mounting:	Recommended hole size is 22.5 mm. Thread front will fit standard 22.5mm hole.			
Knurled Nut:	Used to attach part to panel. The max recommended torque is 10 in-lbs.			
Weight (Typical):	28 g			
NEMA 3R,4X, & 12:	Approved with use of ACC03.			
Options:	Please contact factory.			

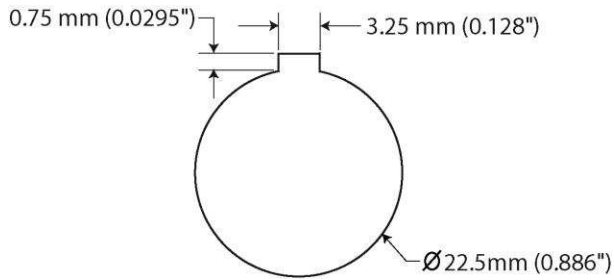
Dimensions: Inches (mm)

cUL Recognized

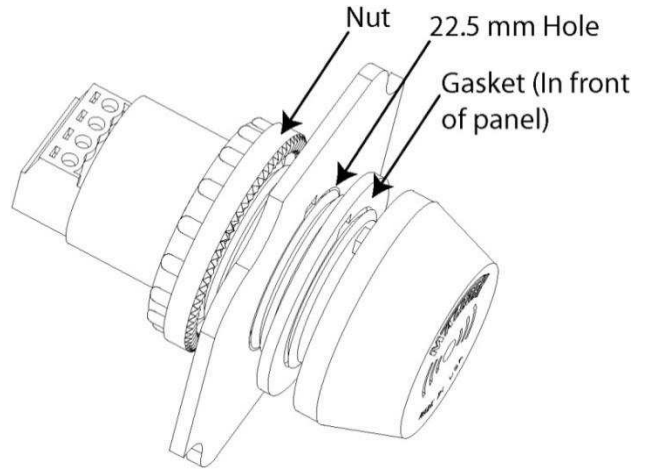
ROHS Compliant



Mounting Instructions

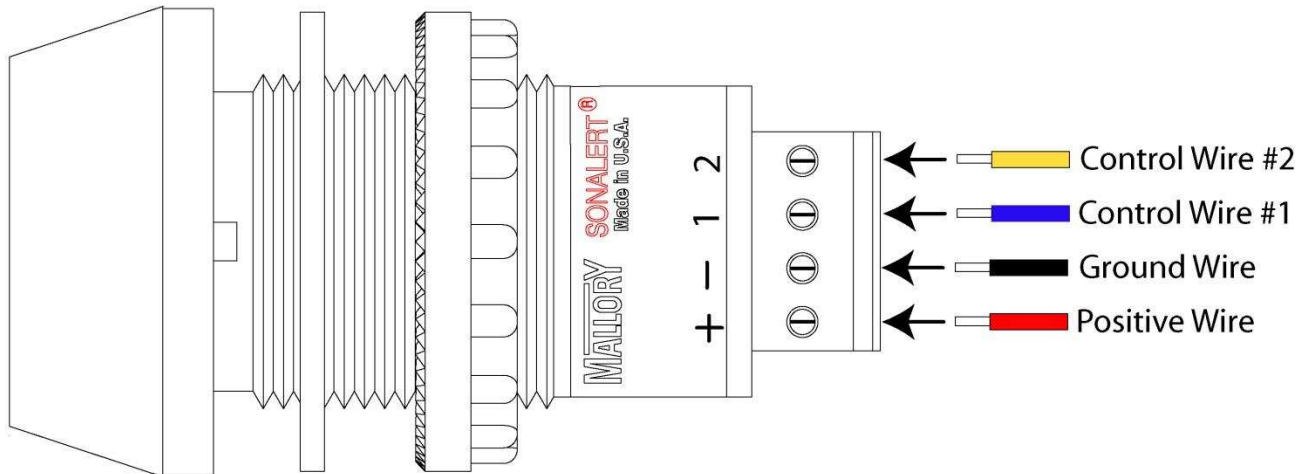


Panel Hole Cut Out



- Panel Hole Size 22.5 mm with Keyway
- Maximum Panel Thickness 12.7 mm (0.5 in)
- Maximum Nut Torque 10 in-lbs (1.13 n-m)

Terminal Block Connection



- Wire Strip Length 6.5 mm (0.256 in)
- Wire Size 30 to 16 AWG
- Maximum Screw Torque 2 in-lbs (0.226 n-m)