

Sales Outline Drawing

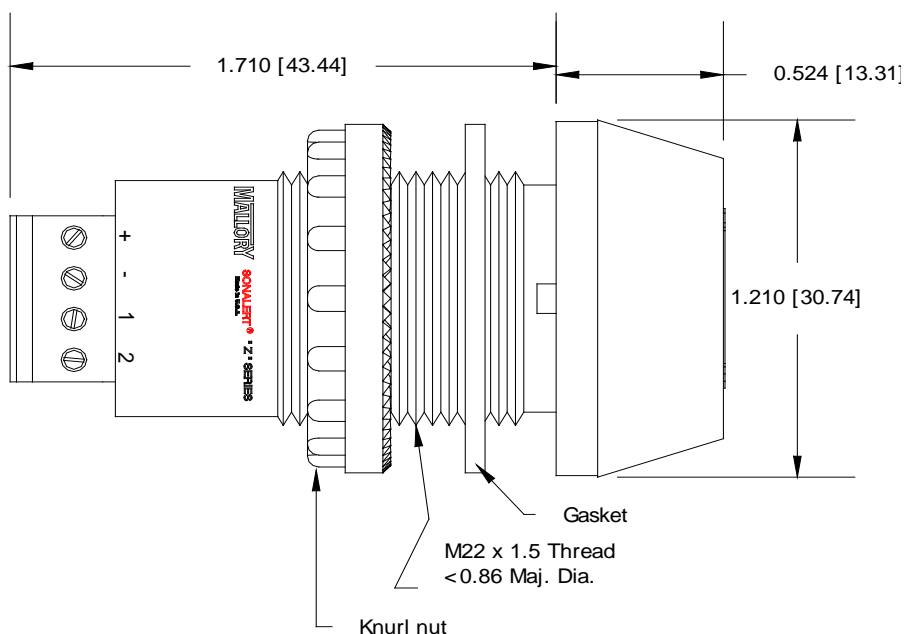
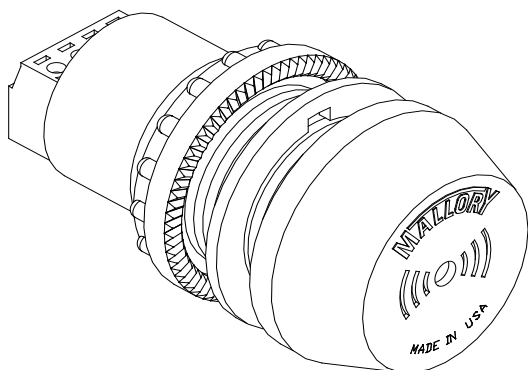
Specifications:

Sound Level Category:	Soft	Soft	Soft	Soft
Mode of Operation:	Continuous	Slow Pulse @ 1 PPS	Fast Pulse @ 10 PPS	Dual Tone 3.4 - 3.5 kHz @ 1.5 WPS
Loudness @ 2 FT:	65 to 75 dB(A) Typ.	85 to 95 dB(A) Typ.	85 to 95 dB(A) Typ.	85 to 95 dB(A) Typ.
Pulse Rate (PPS):		1	10	1.5
Frequency:	3300 ± 500 Hz	3300 ± 500 Hz	3300 ± 500 Hz	3450 ± 100 Hz
Connection:	"+" to Positive, "-" to Ground	"+" to Positive, "-" and "1" to Ground	"+" to Positive, "-" and "2" to Ground	"+" to Positive, "-", "1" and "2" to Ground
Voltage Rating:	6 to 16 VDC			
Current Draw:	40mA MAX			
Housing Material:	6/6 Nylon, Color: Black			
Storage Temperature:	-40° to +55°C			
Operating Temperature:	-30° to +50°C			
Panel Mounting:	Recommended hole size is 22.5 mm. Thread front will fit standard 22.5mm hole.			
Knurled Nut:	Used to attach part to panel. The max recommended torque is 10 in-lbs.			
Weight (Typical):	28 g			
NEMA 3R,4X, & 12:	Approved with use of ACC03.			
Options:	Please contact factory.			

Dimensions: Inches (mm)

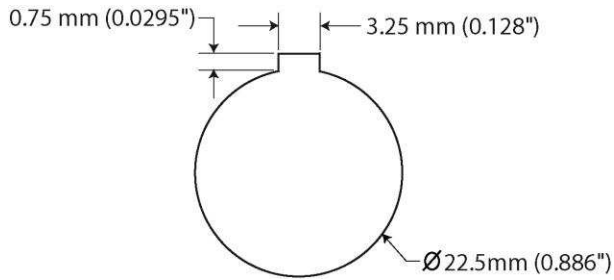
cUL Recognized

ROHS Compliant

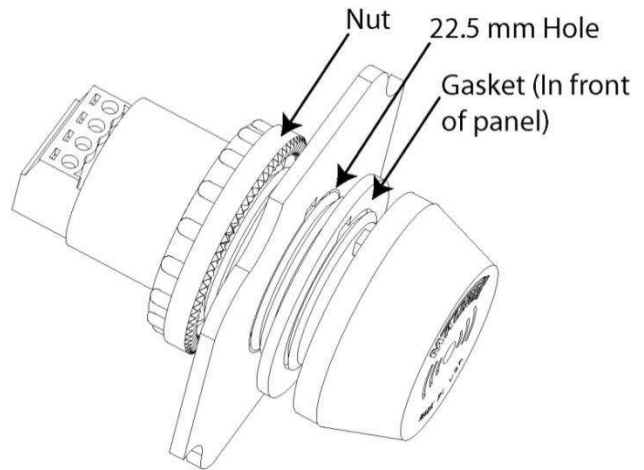


ZA Series- 22mm Panel Alarms

Mounting Instructions:

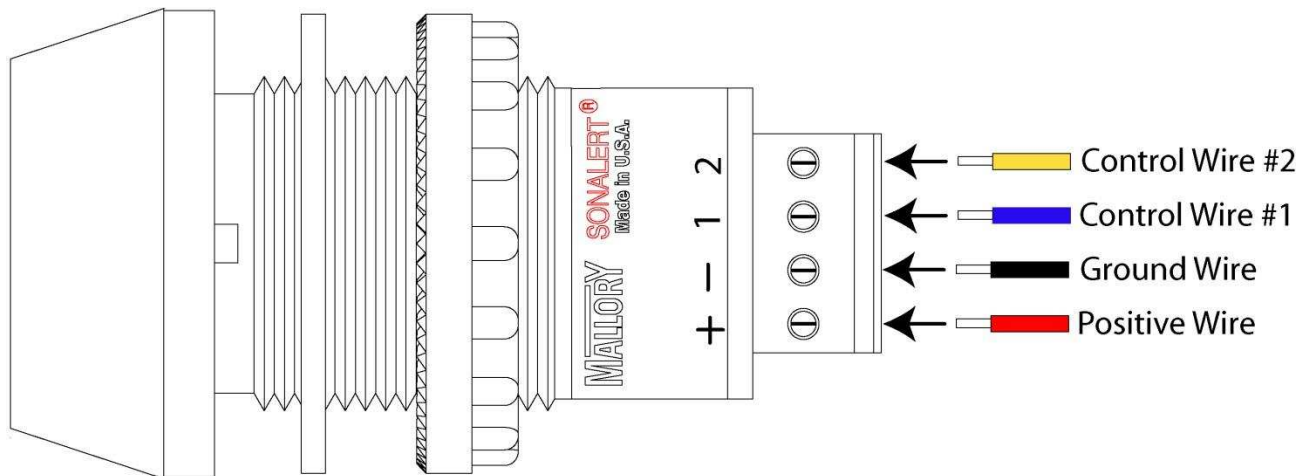


Panel Hole Cut Out



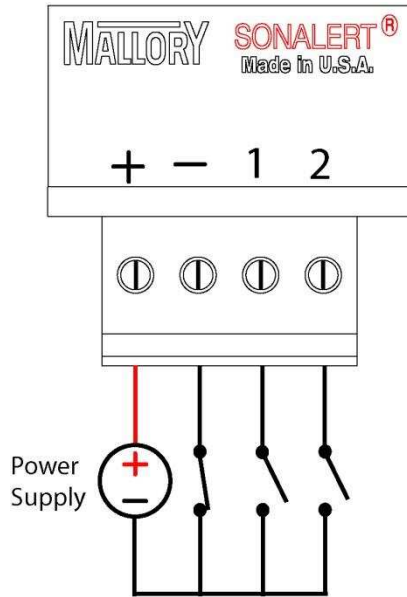
- **Panel Hole Size:** 22.5 mm with Keyway
- **Maximum Panel Thickness:** 12.7 mm (0.5 in)
- **Maximum Nut Torque:** 10 in-lbs (1.13 n-m)

Terminal Block Connections:

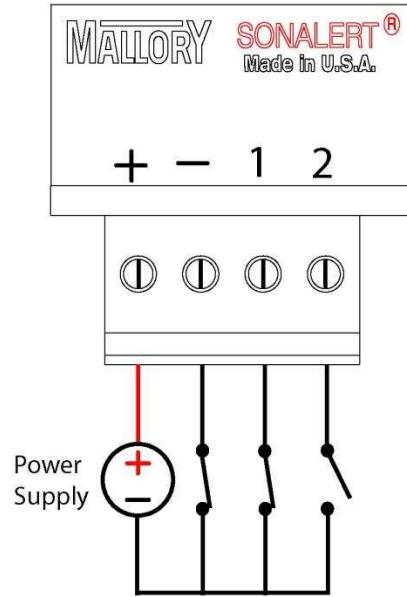


- **Wire Strip Length:** 6.5 mm (0.256 in)
- **Wire Size:** 30 to 16 AWG
- **Maximum Screw Torque:** 2 in-lbs (0.226 n-m)

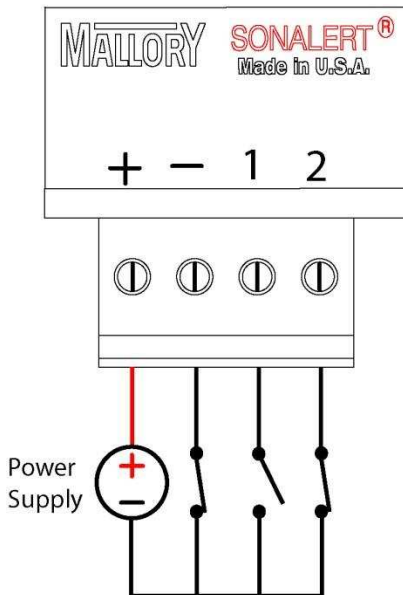
Wiring Diagrams:



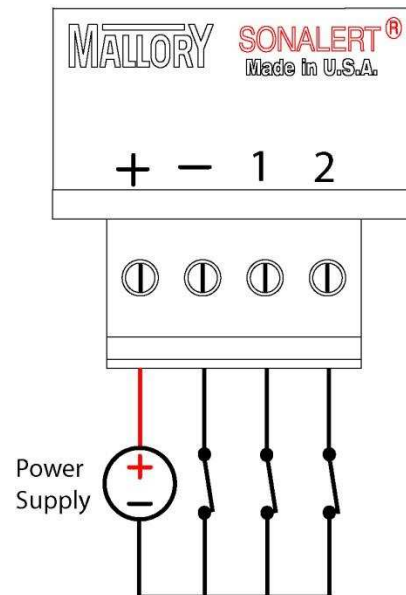
Sound #1: Connect "+" to POSITIVE, and Connect "-" to GROUND.



Sound #2: Connect "+" to POSITIVE, and Connect "-" & "1" to GROUND.



Sound #3: Connect "+" to POSITIVE, and Connect "-" & "2" to GROUND.



Sound #4: Connect "+" to POSITIVE, and Connect "-" & "1" & "2" to GROUND.



MALLORY SONALERT PRODUCTS, INC.

ZA Series- 22mm Panel Alarms

Certifications:

- **RoHS; cUL; NEMA 3R/4X/12; IP-66; CSA 22.2 No. 94**
 - Included gasket must be used to maintain NEMA 3R/4X/12 ratings.

cUL Yellow Card:

UL Online Certifications Directory

UCST8.S1290

Audible Signal Appliances, General Signal Certified for Canada - Component

Audible-signal Appliances, General Signal Certified for Canada - Component

MALLORY SONALERT PRODUCTS INC

S1290

4411 S HIGH SCHOOL RD;

INDIANAPOLIS, IN 46241 USA

Audible tone generators, ZA aaa b c ddd (f9)

(f9) - Must be used with neoprene gasket type 4216-S to maintain enclosure NEMA Type Ratings 3R, 4X and 12.

aaa - Indicates voltage rating. May be 016, 028, 048 or 120.

b - Indicates sound level. May be L, M or S.

c - Indicates voltage type. May be A or D.

ddd - Indicates Sound Function. May be any combination of letters A through Z and/or numbers 0 through 9.

Marking: Company name or tradename "Mallory" , "Sonalert" , model designation and Recognized Component Mark for

Canada, 

Last Updated on 2012-02-03

© 2012 UL LLC

Reprinted from the Online Certifications Directory with permission from UL

ZA Series- 22mm Panel Alarms

Sound Level vs Distance:

Various Measurement Distances	ZA Series Sound Level Category		
	Loud 85 – 95 dB @ 2 ft	Medium 75 – 85 dB @ 2 ft	Soft 65 – 85 dB @ 2 ft
10 cm (4 in)	100 to 110 dB	90 to 100 dB	80 to 90 dB
30 cm (1 ft)	91 to 101 dB	81 to 91 dB	71 to 81 dB
1 Meter	82 to 92 dB	72 to 82 dB	62 to 72 dB
10 ft	71 to 81 dB	61 to 71 dB	51 to 61 dB

The ZA Series of 22mm alarms measures sound level at 2 feet. Since sound level drops over distance, the above chart lists the equivalent sound levels at various distances.

For example, if the Mallory part is in the **LOUD** sound level category, it has a sound level of 85 to 95 dB at 2 feet. At 10 cm, the sound level would measure 100 to 110 dB.

Packaging:

- Standard orders are bulk packed.
- For individual box packaging, add one of the following part numbers to order:

Part Number	Description
BOX	Individual box- no label
BOXLABEL	Individual box with label

Accessories & Replacement Parts:

Part Number	Description	Notes
ACC06	Replacement NEMA Gasket	Gasket comes with part
KNT1-01	Replacement Nut	Nut comes with part