



Mallory Sonalert Products, Inc.

Part #: **ZA028MDMT4**

Sales Outline Drawing

Revision: **B**

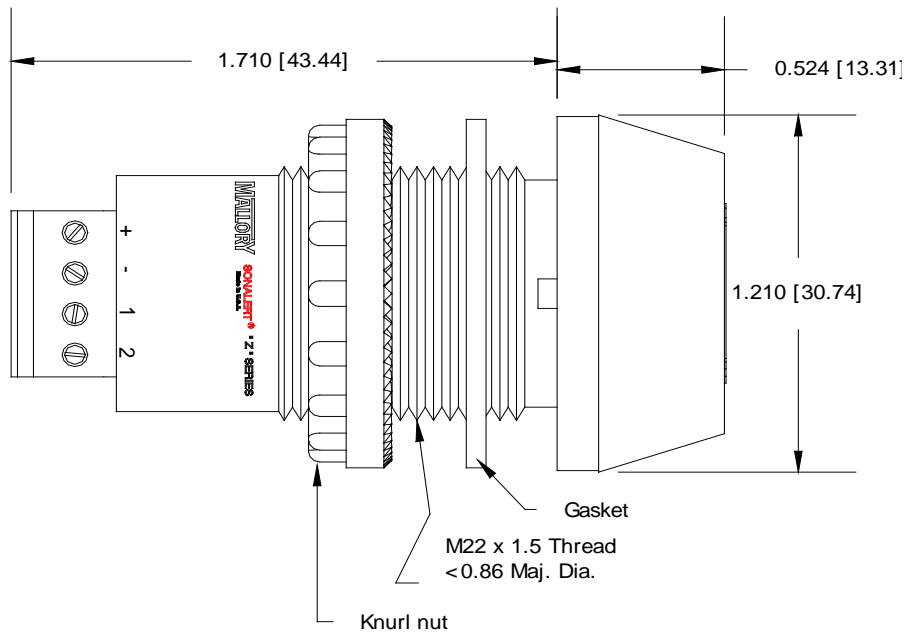
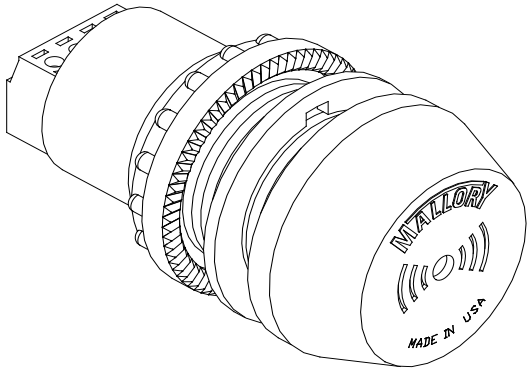
Specifications:

Sound Level Category:	Medium	Medium	Medium	Medium
Mode of Operation:	Continuous	Slow Pulse @ 1 PPS	Fast Pulse @ 10 PPS	Dual Tone 3.4 - 3.5 kHz @ 1.5 WPS
Loudness @ 2 FT:	75 to 85 dB(A) Typ.	85 to 95 dB(A) Typ.	85 to 95 dB(A) Typ.	85 to 95 dB(A) Typ.
Pulse Rate (PPS):		1	10	1.5
Frequency:	3300 ± 500 Hz	3300 ± 500 Hz	3300 ± 500 Hz	3450 ± 100 Hz
Connection:	"+" to Positive, "-" to Ground	"+" to Positive, "-" and "1" to Ground	"+" to Positive, "-" and "2" to Ground	"+" to Positive, "-", "1" and "2" to Ground
Voltage Rating:	16 to 28 VDC			
Current Draw:	40mA MAX			
Housing Material:	6/6 Nylon, Color: Black			
Storage Temperature:	-40° to +55°C			
Operating Temperature:	-30° to +50°C			
Panel Mounting:	Recommended hole size is 22.5 mm. Thread front will fit standard 22.5mm hole.			
Knurled Nut:	Used to attach part to panel. The max recommended torque is 10 in-lbs.			
Weight (Typical):	28 g			
NEMA 3R,4X, & 12:	Approved with use of ACC03.			
Options:	Please contact factory.			

Dimensions: Inches (mm)

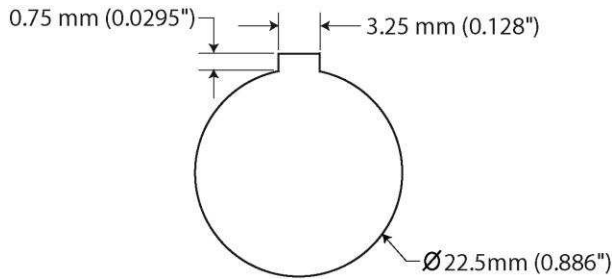
cUL Recognized

ROHS Compliant

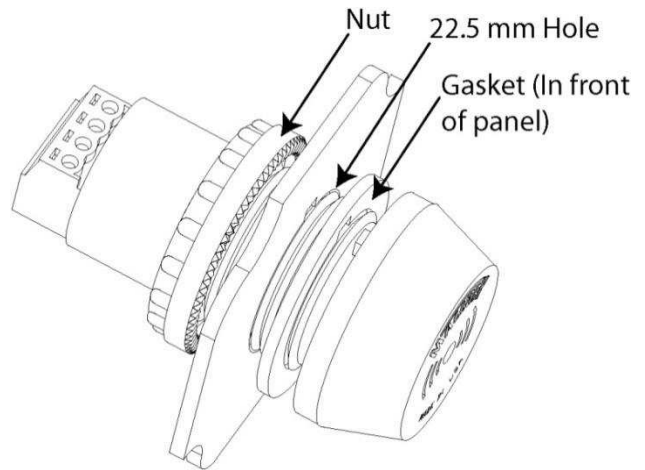


ZA Series- 22mm Panel Alarms

Mounting Instructions:

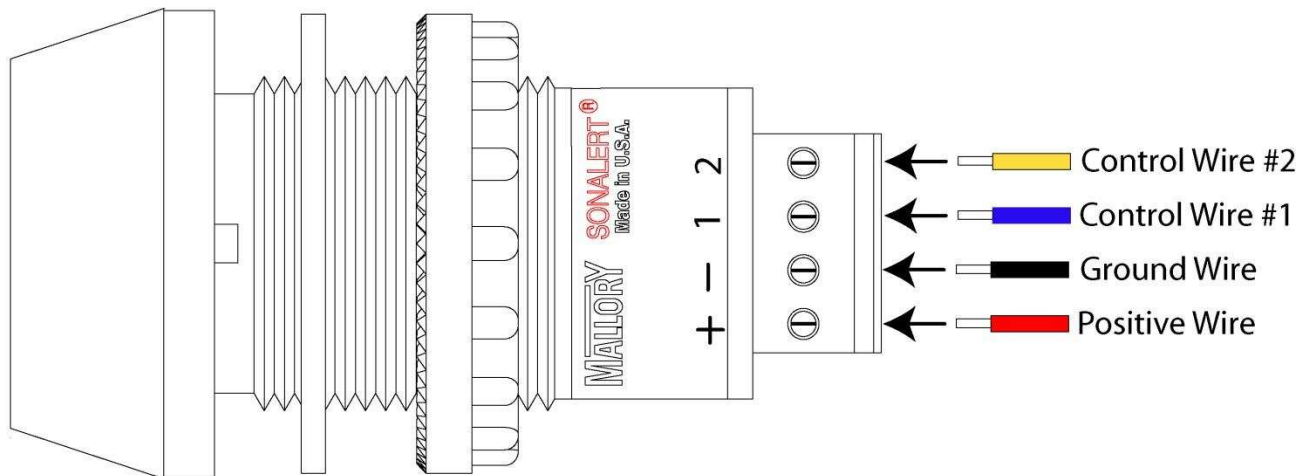


Panel Hole Cut Out



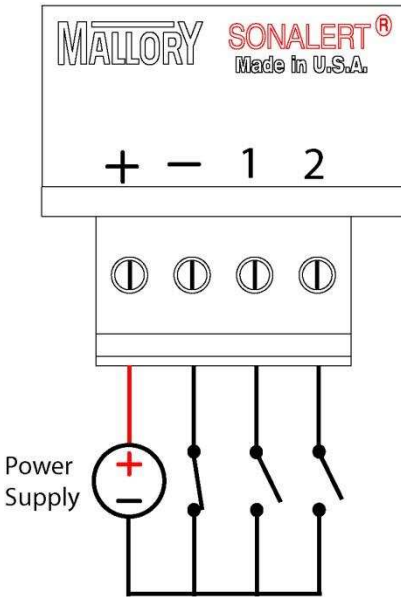
- **Panel Hole Size:** 22.5 mm with Keyway
- **Maximum Panel Thickness:** 12.7 mm (0.5 in)
- **Maximum Nut Torque:** 10 in-lbs (1.13 n-m)

Terminal Block Connections:

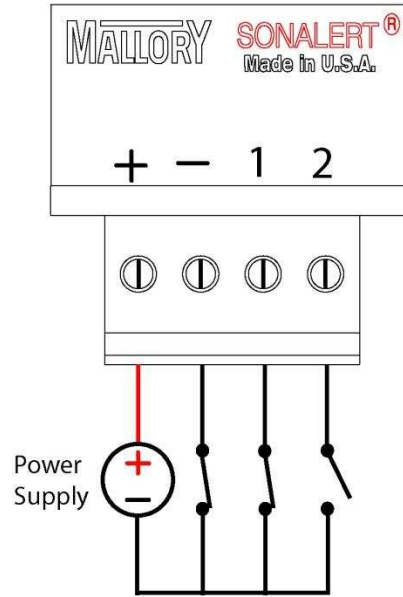


- **Wire Strip Length:** 6.5 mm (0.256 in)
- **Wire Size:** 30 to 16 AWG
- **Maximum Screw Torque:** 2 in-lbs (0.226 n-m)

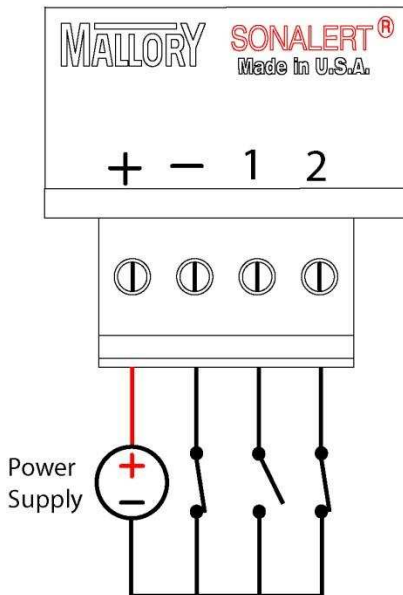
Wiring Diagrams:



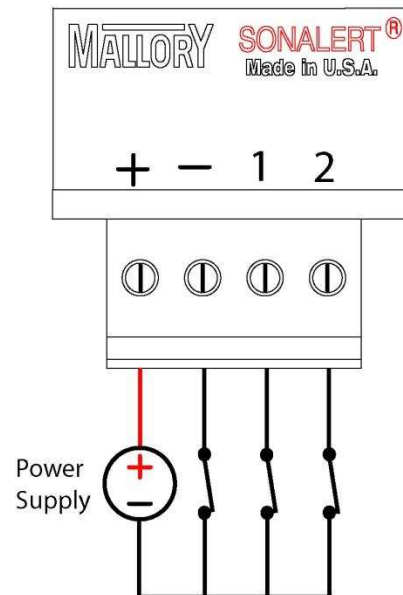
Sound #1: Connect "+" to POSITIVE, and Connect "-" to GROUND.



Sound #2: Connect "+" to POSITIVE, and Connect "-" & "1" to GROUND.



Sound #3: Connect "+" to POSITIVE, and Connect "-" & "2" to GROUND.



Sound #4: Connect "+" to POSITIVE, and Connect "-" & "1" & "2" to GROUND.