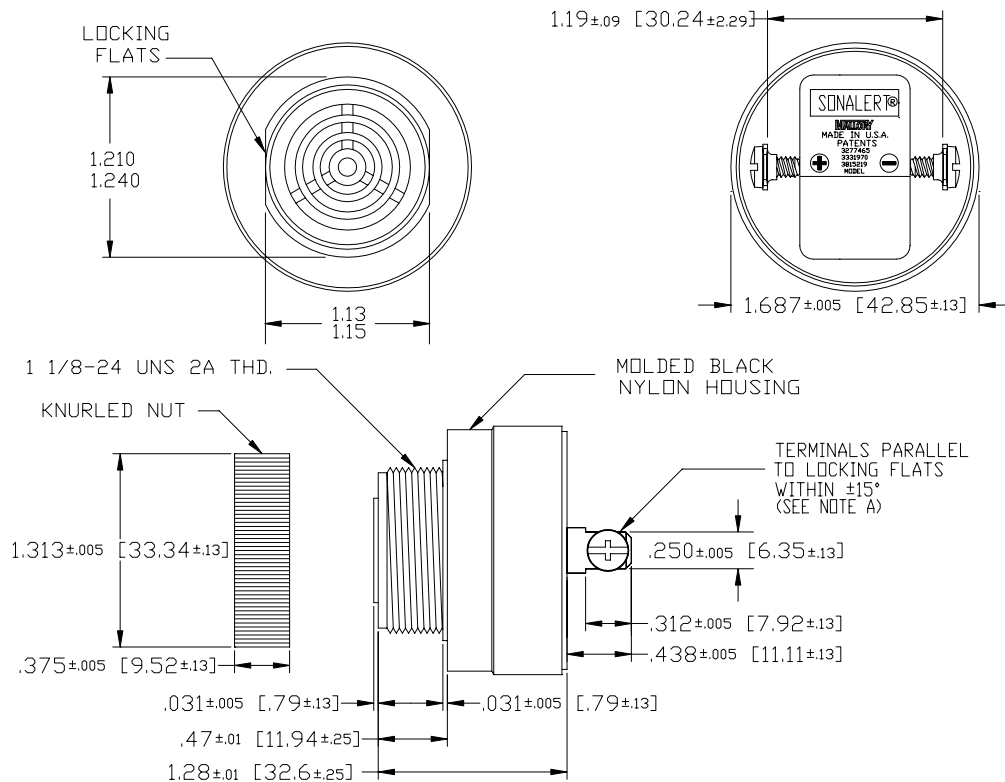


**Specifications:**

Sound level Category	Medium Sound Level
Mode of Operation	Chirp
Mounting	Panel (see note B)
Voltage Rating	30 to 120 Vac
Frequency	2900 Hz $\pm$ 500 Hz
Loudness (Min. Voltage)	70 dB(A) min. @ 2 FT and 30 Vac
Loudness (Max Voltage)	80 dB(A) min. @ 2FT and 120 Vac
Min. Pulse Rate (PPS)	10 @ 30 Vac
Max. Pulse Rate (PPS)	35 @ 120 Vac
Current Draw	6 mA Max @ 30 Vac
Current Draw	22 mA Max @ 120 Vac
Storage Temperature	-40°C to +85°C
Operating Temperature	-30°C to +65°C
Weight (Typical)	1.5 oz (42 g)
Housing	6/6 Nylon, Color Black
Options	For other options contact factory

**Dimensions:** Inches (mm)

**UL Recognized** 



NOTE A: TERMINALS-.032 BRASS TIN PLATED, TAPPED FOR #6-32 SCREW. TWO #6-32 NICKEL PLATED BRASS SCREWS INCLUDED. WILL ACCEPT 1/4" QUICK CONNECT.

NOTE B: MOUNTING- REMOVE BLACK PLASTIC NUT AND INSERT THREADED FRONT THROUGH 1.25" HOLE PUNCHED IN PANEL, IF ORIENTATION IS NEEDED, NOTE LOCKING FLATS ON DRAWING. SCREW NUT BACK ON. DO NOT OVERTIGHTEN.