

Specifications:

| | |
|-------------------------|-----------------------------------|
| Sound level Category | Medium Sound Level |
| Mode of Operation | High Frequency - Fast Pulse |
| Mounting | Panel (see note B) |
| Voltage Rating | 6 to 28 Vdc |
| Frequency | 4500 Hz ±500 Hz |
| Loudness (Min. Voltage) | 68 dB(A) min. @ 2 FT and 6 Vdc |
| Loudness (Max Voltage) | 80 dB(A) min. @ 2 FT and 28 Vdc |
| Current Draw | 4 mA Max @ 6 Vdc |
| Current Draw | 16 mA Max @ 28 Vdc |
| Min. Pulse Rate | 2 @ 6 VDC |
| Max. Pulse Rate | 10 @ 28 VDC |
| Duty Cycle % | 50 (Approx) |
| Storage Temperature | -40°C to +85°C |
| Operating Temperature | -30°C to +65°C |
| Weight (Typical) | 1.6 oz (45 g) |
| Housing | 6/6 Nylon, Color Black |
| Options | For other options contact factory |

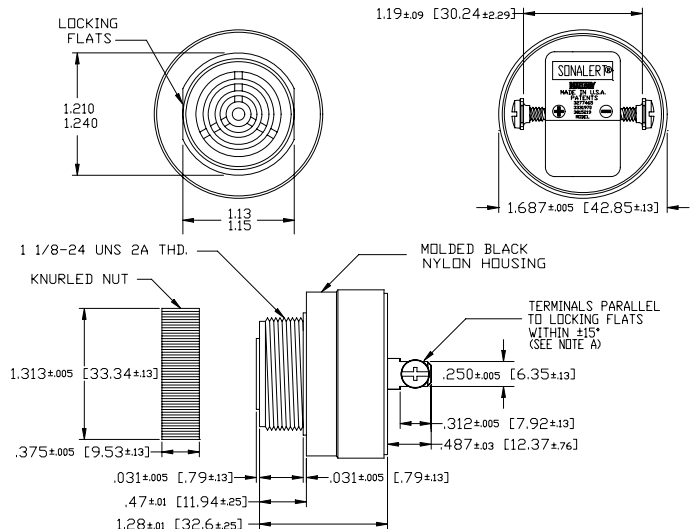
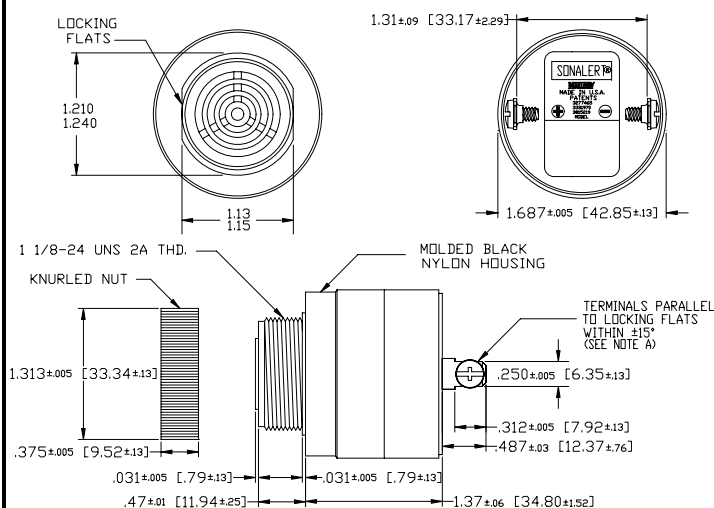
Dimensions: Inches (mm)

UL Recognized 

RoHS Compliant

PART DIMENSIONS BEFORE CODE DATE 0824 5

PART DIMENSIONS AFTER CODE DATE 0825 1



NOTE A: TERMINALS--032 BRASS TIN PLATED, TAPPED FOR #6-32 SCREW. TWO #6-32 NICKEL PLATED BRASS SCREWS INCLUDED. WILL ACCEPT 1/4" QUICK CONNECT.

NOTE B: MOUNTING-- REMOVE BLACK PLASTIC NUT AND INSERT THREADED FRONT THROUGH 1.25" HOLE PUNCHED IN PANEL, IF ORIENTATION IS NEEDED, NOTE LOCKING FLATS ON DRAWING. SCREW NUT BACK ON. DO NOT OVERTIGHTEN.

NOTE A: TERMINALS--032 BRASS TIN PLATED, TAPPED FOR #6-32 SCREW. TWO #6-32 NICKEL PLATED BRASS SCREWS INCLUDED. WILL ACCEPT 1/4" QUICK CONNECT.

NOTE B: MOUNTING-- REMOVE BLACK PLASTIC NUT AND INSERT THREADED FRONT THROUGH 1.25" HOLE PUNCHED IN PANEL, IF ORIENTATION IS NEEDED, NOTE LOCKING FLATS ON DRAWING. SCREW NUT BACK ON. DO NOT OVERTIGHTEN.