

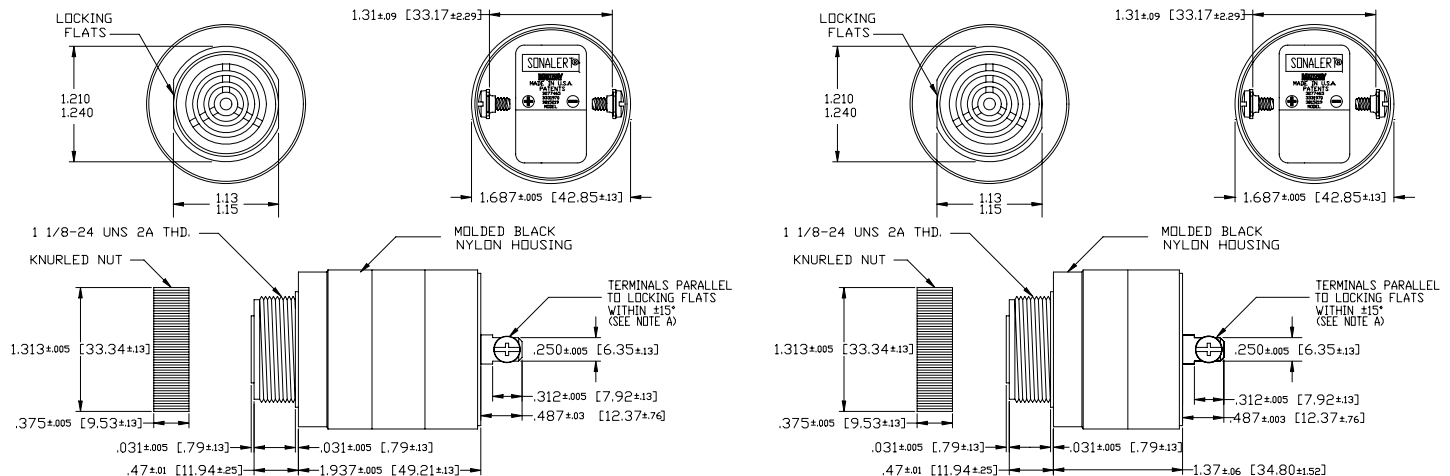
Specifications:

| | |
|-------------------------|------------------------------------|
| Sound level Category | Medium Sound Level |
| Mode of Operation | Slow Pulse |
| Mounting | Panel (see note B) |
| Voltage Rating | 10 to 48 Vac/dc |
| Frequency | 1900 Hz ±300 Hz |
| Loudness (Min. Voltage) | 60 dB(A) min. @ 2 FT and 10 Vac/dc |
| Loudness (Max Voltage) | 75 dB(A) min. @ 2FT and 48 Vac/dc |
| Current Draw | 4 mA Max @ 10 Vac/dc |
| Current Draw | 20 mA Max @ 48 Vac/dc |
| Min. Pulse Rate (PPS) | 0.5 @ 10 Vac/dc |
| Max. Pulse Rate (PPS) | 2.0 @ 48 Vac/dc |
| Duty Cycle (%) | 50 (Approx) |
| Storage Temperature | -40°C to +85°C |
| Operating Temperature | -30°C to +65°C |
| Weight (Typical) | 2.1 oz (60 g) |
| Housing | 6/6 Nylon, Color Black |
| Options | For other options contact factory |

Dimensions: Inches (mm)

RoHS Compliant

PART DIMENSIONS BEFORE CODE DATE 0809 5 PART DIMENSIONS AFTER CODE DATE 0810 1



NOTE A: TERMINALS--032 BRASS TIN PLATED, TAPPED FOR #6-32 SCREW. TWO #6-32 NICKEL PLATED BRASS SCREWS INCLUDED. WILL ACCEPT 1/4" QUICK CONNECT.

NOTE B: MOUNTING-- REMOVE BLACK PLASTIC NUT AND INSERT THREADED FRONT THROUGH 1.25" HOLE PUNCHED IN PANEL, IF ORIENTATION IS NEEDED, NOTE LOCKING FLATS ON DRAWING. SCREW NUT BACK ON. DO NOT OVERTIGHTEN.

NOTE A: TERMINALS--032 BRASS TIN PLATED, TAPPED FOR #6-32 SCREW. TWO #6-32 NICKEL PLATED BRASS SCREWS INCLUDED. WILL ACCEPT 1/4" QUICK CONNECT.

NOTE B: MOUNTING-- REMOVE BLACK PLASTIC NUT AND INSERT THREADED FRONT THROUGH 1.25" HOLE PUNCHED IN PANEL, IF ORIENTATION IS NEEDED, NOTE LOCKING FLATS ON DRAWING. SCREW NUT BACK ON. DO NOT OVERTIGHTEN.