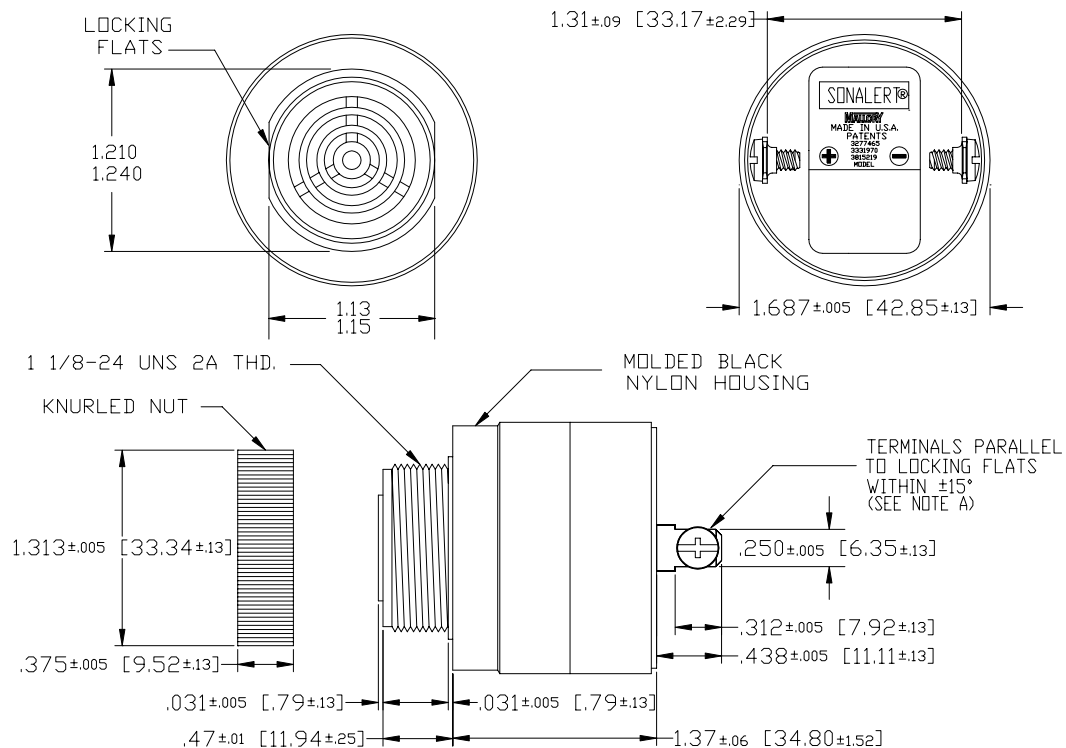


Specifications:

Sound level Category	Loud Sound Level - Siren
Mode of Operation	Sweeping up & down in 0.2 seconds
Mounting	Panel (see note B)
Voltage Rating	10 to 48 Vdc
Frequency	1900 Hz \pm 300 Hz to 2900 Hz \pm 300 Hz
Loudness (Min. Voltage)	80 dB(A) min. @ 2 FT and 10 Vdc
Loudness (Max Voltage)	90 dB(A) min. @ 2FT and 48 Vdc
Sweep Rate Min. (PPS)	3.5 @ 10 Vdc
Sweep Rate Max. (PPS)	6.5 @ 48 Vdc
Current Draw	25 mA Max @ 10 Vdc
Current Draw	35 mA Max @ 48 Vdc
Storage Temperature	-40°C to +85°C
Operating Temperature	-30°C to +65°C
Weight (Typical)	2.1 oz (59 g)
Housing	6/6 Nylon, Color Black
Options	For other options contact factory

Dimensions: Inches (mm)

UL Recognized 



NOTE A: TERMINALS-.032 BRASS TIN PLATED, TAPPED FOR #6-32 SCREW. TWO #6-32 NICKEL PLATED BRASS SCREWS INCLUDED. WILL ACCEPT 1/4" QUICK CONNECT.

NOTE B: MOUNTING- REMOVE BLACK PLASTIC NUT AND INSERT THREADED FRONT THROUGH 1.25" HOLE PUNCHED IN PANEL, IF ORIENTATION IS NEEDED, NOTE LOCKING FLATS ON DRAWING. SCREW NUT BACK ON. DO NOT OVERTIGHTEN.