



**Mallory Sonalert Products, Inc.**

Part #:

**SCE028XD3MG2S**

# Sales Outline Drawing

Revision:

**C**

## Specifications:

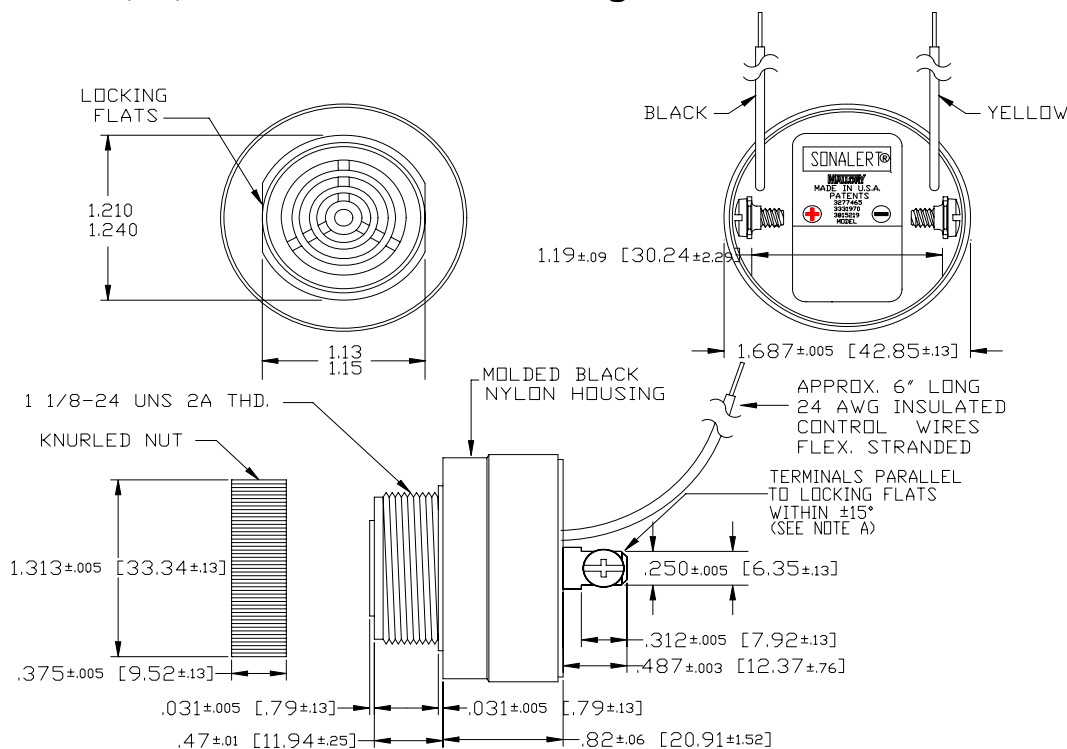
Sound Level Category:	Extra Loud	Extra Loud	Extra Loud	N/A
Mode of Operation:	Dual Tone	Siren Sweep	Continuous	N/A
Loudness @ 2 FT:	95 to 105 dB(A) Typ.	95 to 105 dB(A) Typ.	95 to 105 dB(A) Typ.	N/A
Pulse Rate (PPS):	1.5	5	0	N/A
Frequency:	3.0 - 2.9 kHz	2.6 - 3.2 kHz	2900 ± 500 Hz	N/A
Connection:	TERMINALS ONLY	TERMINALS AND BLACK WIRE TO (-)	TERMINALS AND RED WIRE TO (-)	N/A
Voltage Rating:	16 to 28 VDC			
Current Draw:	40mA MAX			
Housing Material:	6/6 Nylon, Color: Black			
Storage Temperature:	-40° to +85°C			
Operating Temperature:	-40° to +85°C			
Panel Mounting:	Recommended hole size is 1.25"(31.75mm). Thread front will fit standard 30mm(1.181") hole.			
Knurled Nut:	Used to attach part to panel. The max recommended torque is 10 in-lbs.			
Weight (Typical):	1.6 oz (45g)			
NEMA 3R,4X, & 12:	Approved with use of ACC03.			
cUL Recognition:	cUL Recognized			
Options:	Please contact factory.			

## Dimensions:

Inches (mm)

**cUL Recognized**

**ROHS Compliant**



NOTE A: TERMINALS- .032 BRASS TIN PLATED, TAPPED FOR #6-32 SCREW. TWO #6-32 NICKEL PLATED BRASS SCREWS INCLUDED. WILL ACCEPT 1/4" QUICK CONNECT.

NOTE B: MOUNTING- REMOVE BLACK PLASTIC NUT AND INSERT THREADED FRONT THROUGH 1.25" HOLE PUNCHED IN PANEL, IF ORIENTATION IS NEEDED, NOTE LOCKING FLATS ON DRAWING. SCREW NUT BACK ON. DO NOT OVERTIGHTEN.