



Mallory Sonalert Products, Inc.

Part #: **SCE028MD3SP1B**

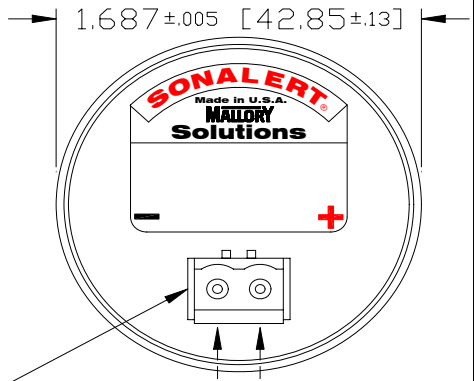
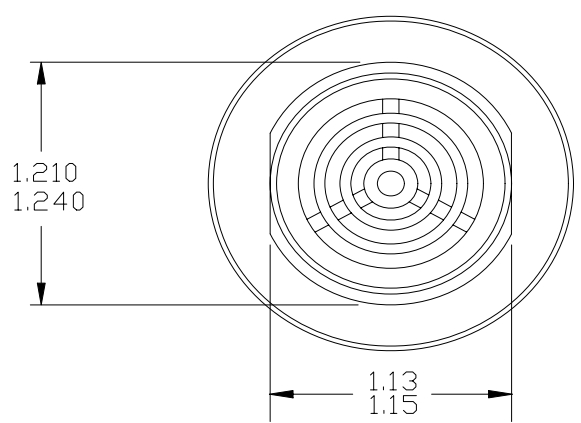
Sales Outline Drawing

Revision: **B**

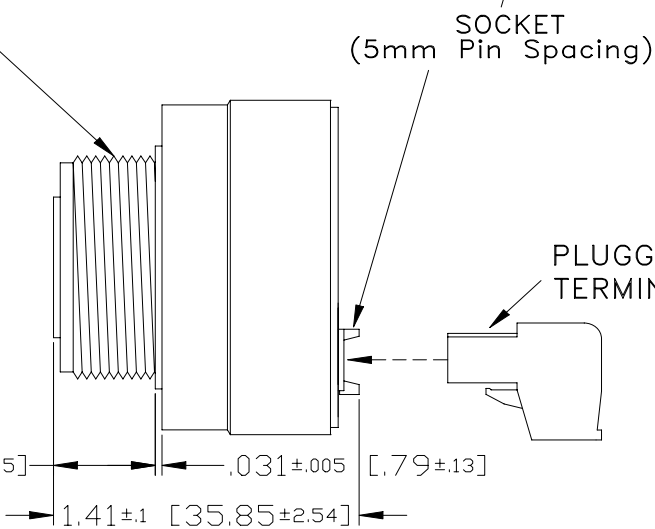
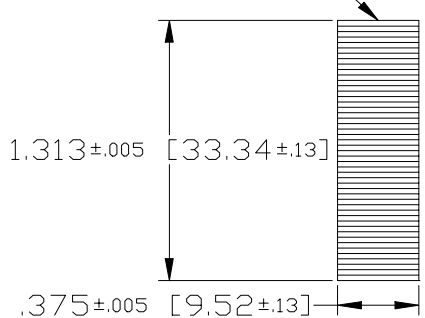
Specifications:

Sound Level Category	Medium
Mode of Operation	Slow Pulse @ 1 PPS
Voltage Rating	16 to 28 VDC
Frequency	2900 ± 500 Hz
Loudness @ 2 FT	75 to 85 dB(A) Typ.
Current Draw	40mA MAX
Housing Material	6/6 Nylon, Color: Black
Storage Temperature	-40° to +85°C
Operating Temperature	-40° to +85°C
Panel Mounting	Recommended hole size is 1.25"(31.75mm). Thread front will fit standard 30mm(1.181") hole.
Knurled Nut	Used to attach part to panel. The max recommended torque is 10 in-lbs.
Weight (Typical)	1.6 oz (45g)
NEMA 3R, 4X, & 12	Approved with use of ACC03.
cUL Recognition	cUL Recognized
Options	Please contact factory.

Dimensions: Inches (mm) **cUL Recognized** **ROHS Compliant**



1 1/8-24 UNS 2A THD.
KNURLED NUT



PLUGGABLE SCREW
TERMINAL BLOCK