



Mallory Sonalert Products, Inc.

Part #: **SCE028SD3MP1B**

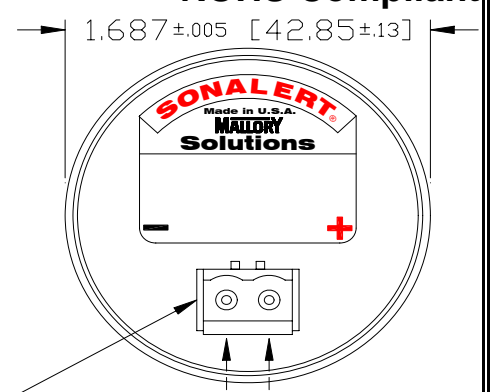
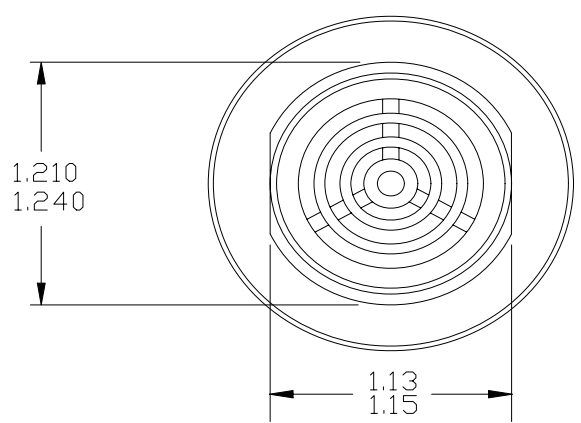
Sales Outline Drawing

Revision: **B**

Specifications:

| | |
|-----------------------|--|
| Sound Level Category | Soft |
| Mode of Operation | Medium Pulse @ 5 PPS |
| Voltage Rating | 16 to 28 VDC |
| Frequency | 2900 ± 500 Hz |
| Loudness @ 2 FT | 65 to 75 dB(A) Typ. |
| Current Draw | 40mA MAX |
| Housing Material | 6/6 Nylon, Color: Black |
| Storage Temperature | -40° to +85°C |
| Operating Temperature | -40° to +85°C |
| Panel Mounting | Recommended hole size is 1.25"(31.75mm). Thread front will fit standard 30mm(1.181") hole. |
| Knurled Nut | Used to attach part to panel. The max recommended torque is 10 in-lbs. |
| Weight (Typical) | 1.6 oz (45g) |
| NEMA 3R, 4X, & 12 | Approved with use of ACC03. |
| cUL Recognition | cUL Recognized |
| Options | Please contact factory. |

Dimensions: Inches (mm) **cUL Recognized** **ROHS Compliant**



1 1/8-24 UNS 2A THD.
KNURLED NUT

