



Mallory Sonalert Products, Inc.

Part #: **SCE048SD3FP1B**

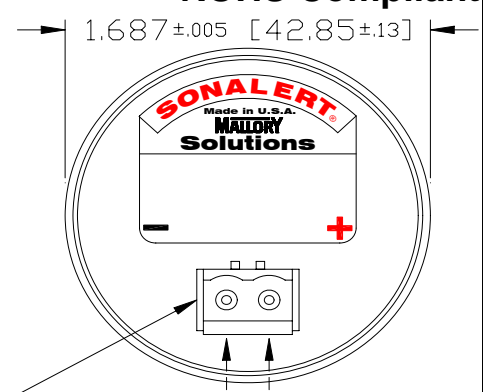
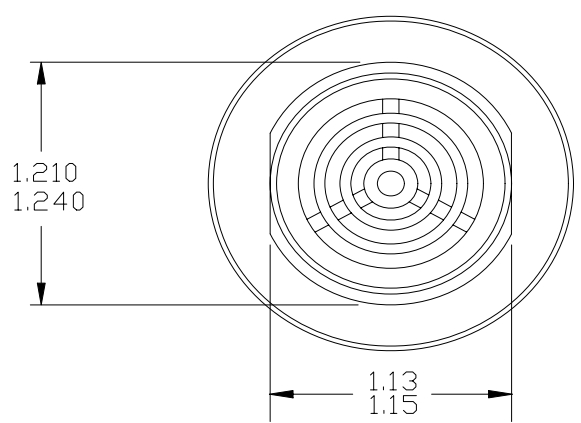
Sales Outline Drawing

Revision: **B**

Specifications:

Sound Level Category	Soft
Mode of Operation	Fast Pulse @ 10 PPS
Voltage Rating	28 to 48 VDC
Frequency	2900 ± 500 Hz
Loudness @ 2 FT	65 to 75 dB(A) Typ.
Current Draw	40mA MAX
Housing Material	6/6 Nylon, Color: Black
Storage Temperature	-40° to +85°C
Operating Temperature	-40° to +85°C
Panel Mounting	Recommended hole size is 1.25"(31.75mm). Thread front will fit standard 30mm(1.181") hole.
Knurled Nut	Used to attach part to panel. The max recommended torque is 10 in-lbs.
Weight (Typical)	1.6 oz (45g)
NEMA 3R, 4X, & 12	Approved with use of ACC03.
cUL Recognition	Supply voltage shall employ Transient Voltage Surge Suppression.
Options	Please contact factory.

Dimensions: Inches (mm) **cUL Recognized** **ROHS Compliant**



1 1/8-24 UNS 2A THD.
KNURLED NUT

