



**Mallory Sonalert Products, Inc.**

Part #: **SCE120XA3FP1B**

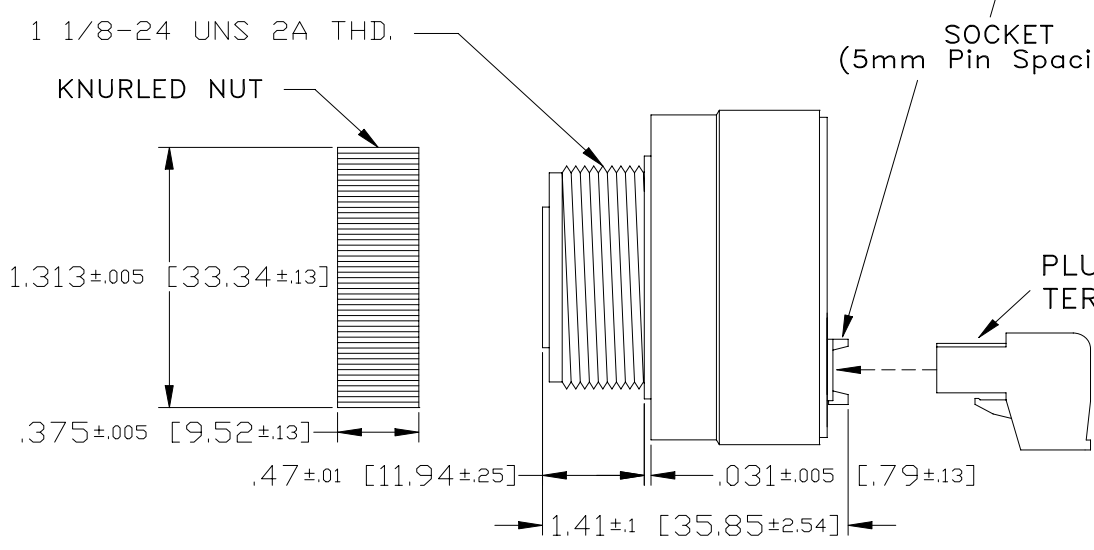
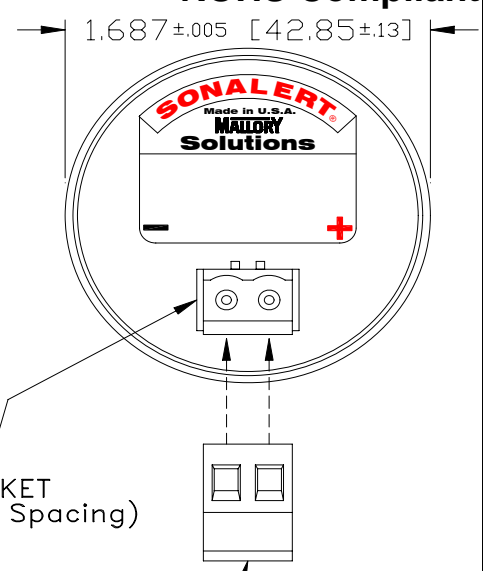
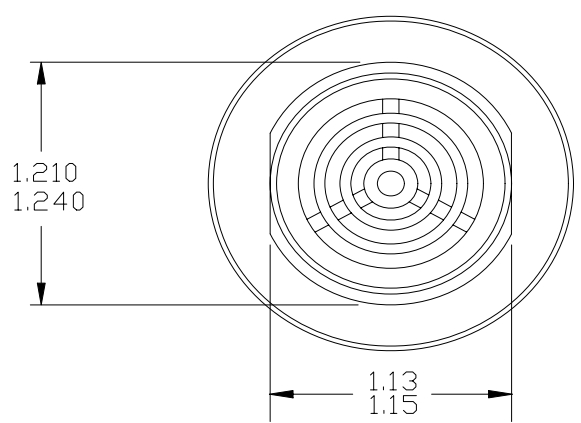
# Sales Outline Drawing

Revision: **B**

## Specifications:

Sound Level Category	Extra Loud
Mode of Operation	Fast Pulse @ 10 PPS
Voltage Rating	48 to 120 VAC
Frequency	2900 ± 500 Hz
Loudness @ 2 FT	95 to 105 dB(A) Typ.
Current Draw	40mA MAX
Housing Material	6/6 Nylon, Color: Black
Storage Temperature	-40° to +85°C
Operating Temperature	-40° to +85°C
Panel Mounting	Recommended hole size is 1.25"(31.75mm). Thread front will fit standard 30mm(1.181") hole.
Knurled Nut	Used to attach part to panel. The max recommended torque is 10 in-lbs.
Weight (Typical)	1.6 oz (45g)
NEMA 3R, 4X, & 12	Approved with use of ACC03.
cUL Recognition	Supply voltage shall employ Transient Voltage Surge Suppression.
Options	Please contact factory.

**Dimensions:** Inches (mm)      **cUL Recognized**      **ROHS Compliant**



PLUGGABLE SCREW  
TERMINAL BLOCK