

**Sales Outline Drawing**

Revision **D**

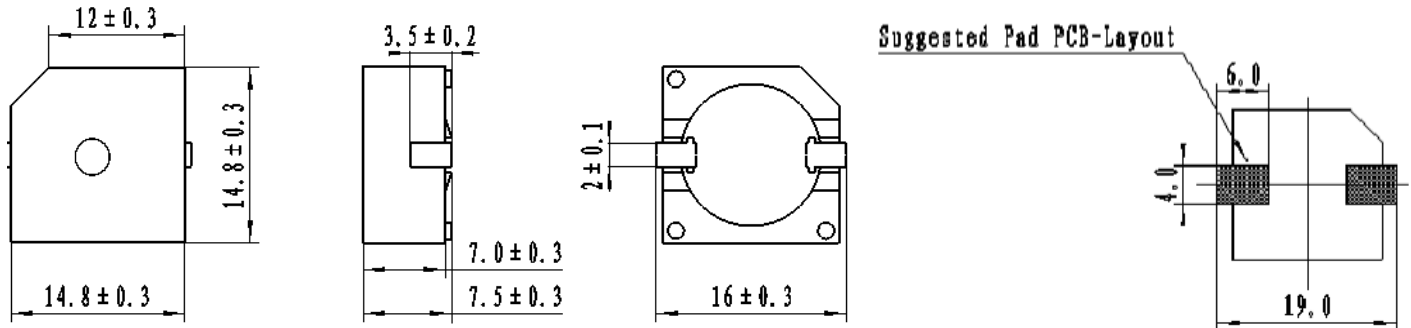
**Specifications:**

Oscillation Frequency (Hz)	3650 ± 500
Operating Voltage (Vp-p)	1 ~ 30
Rated Voltage (Vp-p)	7.0
Current Consumption Max. (mA)	5 at Rated Voltage
Sound Pressure Level (dB/min)	85 at 10cm at Rated Voltage
Capacitance (pF)	15,000 ± 30% at 120 Hz
Operating Temperature (°C)	-30 ~ +85
Storage Temperature (°C)	-40 ~ +85
Type of Connection Terminal	SMD
Housing	PPS plastic resin (Color : Black)
Weight (Grams)	1.9
Condition by reflow soldering (°C)	255 ± 5 / within 5 sec
Condition by hand soldering (°C)	350 ± 20 / within 5 sec
Options	For other options contact factory

**Dimensions:** (units: mm)

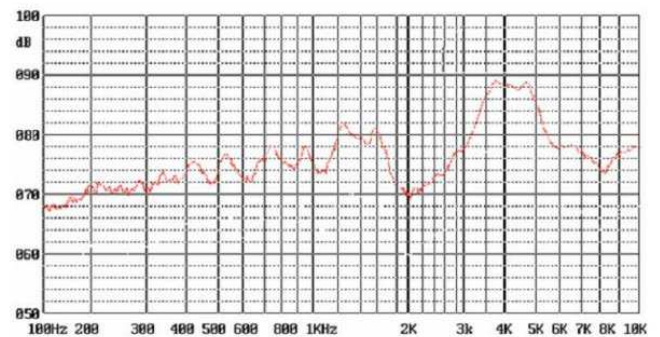
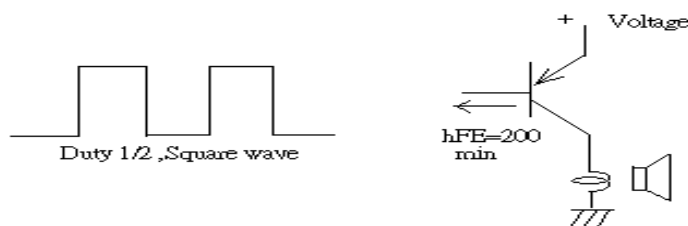
PS: Vp-p=1/2duty, square wave

RoHS Compliant



**Recommend Driving Circuit**

**Typical Frequency Response Curve**



**Packaging:**

Parts are supplied on reels (300 pcs per tape and reel).

Units do not come with wash label and are not appropriate for aqueous wash.