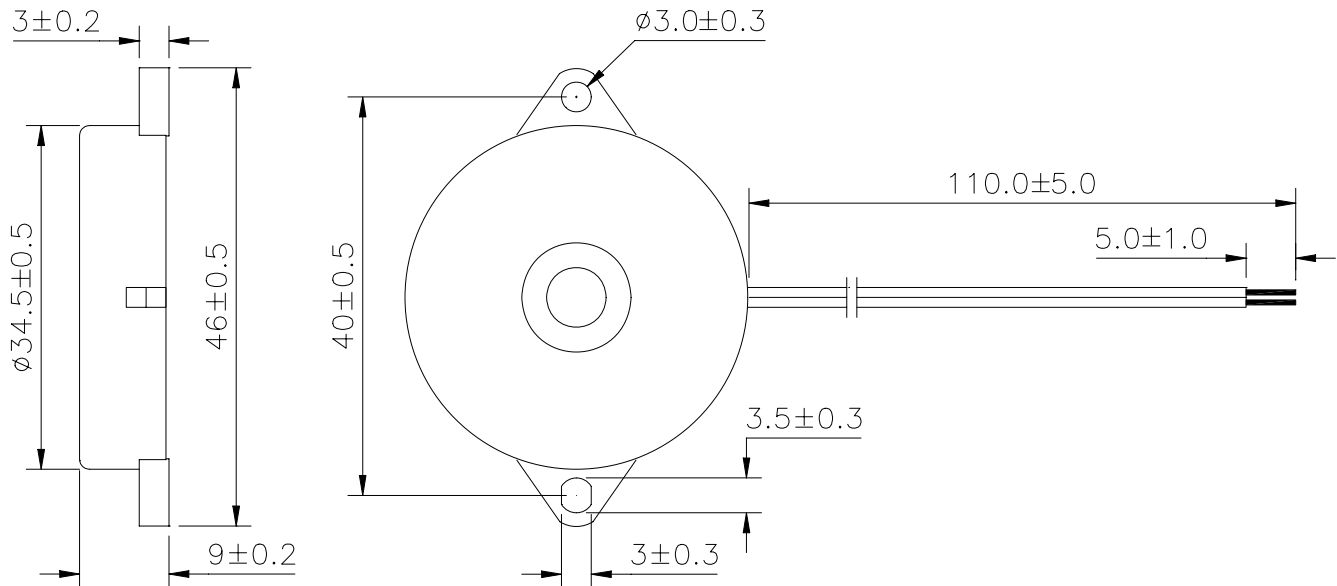


Specifications:

| | |
|--------------------------------|---|
| Resonant Frequency (Hz) | 1100 ± 500 |
| Operating Voltage Max (Vp-p) | 30 |
| Rated Voltage (Vp-p) | 5.0 |
| Current Consumption Max. (mA) | 2.0 at Rated Voltage |
| Sound Pressure Level Min. (dB) | 85 at 10cm at Rated Voltage |
| Capacitance (pF) | 48,000 ±30% @ 120Hz |
| Operating Temperature (°C) | -20 ~ +90 |
| Storage Temperature (°C) | -30 ~ +100 |
| Housing | ABS 777D UL94HB plastic resin (Color: Black) |
| Leading Wire | 28 AWG |
| Weight (Grams) | 5.8 |
| Options | For other options contact factory |

PS: Vp-p = 1/2duty, square wave

Dimensions: (units: mm)**ROHS Compliant**

Unit:mm