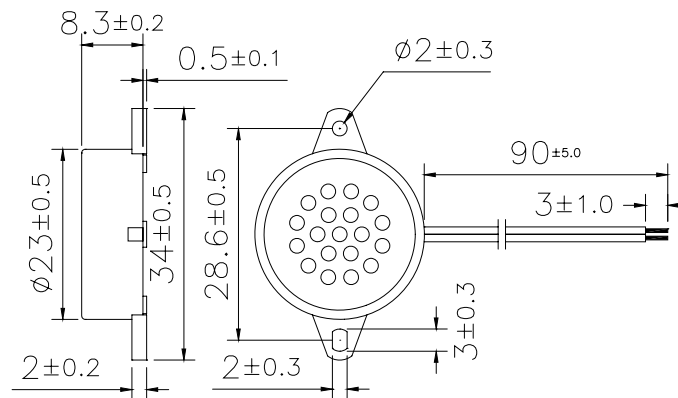
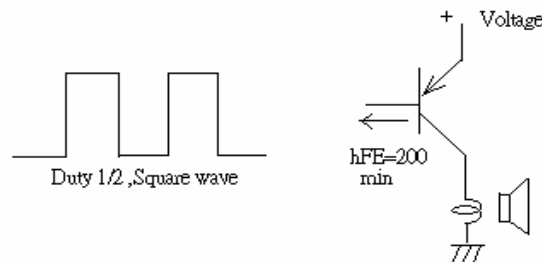


**Sales Outline Drawing**Revision **A****Specifications:**

Oscillation Frequency (Hz)	1500 ± 200
Operating Voltage (Vp-p)	2.0 ~ 5.0
Rated Voltage (Vp-p)	3.0
Input Watt (W/max)	0.15
Sound Pressure Level (dB/min)	75 at 10cm at Rated Voltage
Coil Resistance (Ω)	8.0 ± 2
Operating Temperature (°C)	-20 ~ +70
Storage Temperature (°C)	-30 ~ +80
Housing	ABS 757 UL94HB plastic resin (Color: Black)
Lead Wire	28 AWG
Weight (Grams)	3.4
Condition by wave soldering (°C)	245 ± 5 / 3 ± 0.5 sec
Condition by hand soldering (°C)	350 ± 20 / within 5 sec
Options	For other options contact factory

PS: Vp-p = 1/2duty, square wave

**RoHS Compliant****Dimensions:** (units: mm)**Recommended Driving Circuit:**

**The base current  $I_b$  should be high enough so that it saturates the collector current of the transistor with the CB load.**