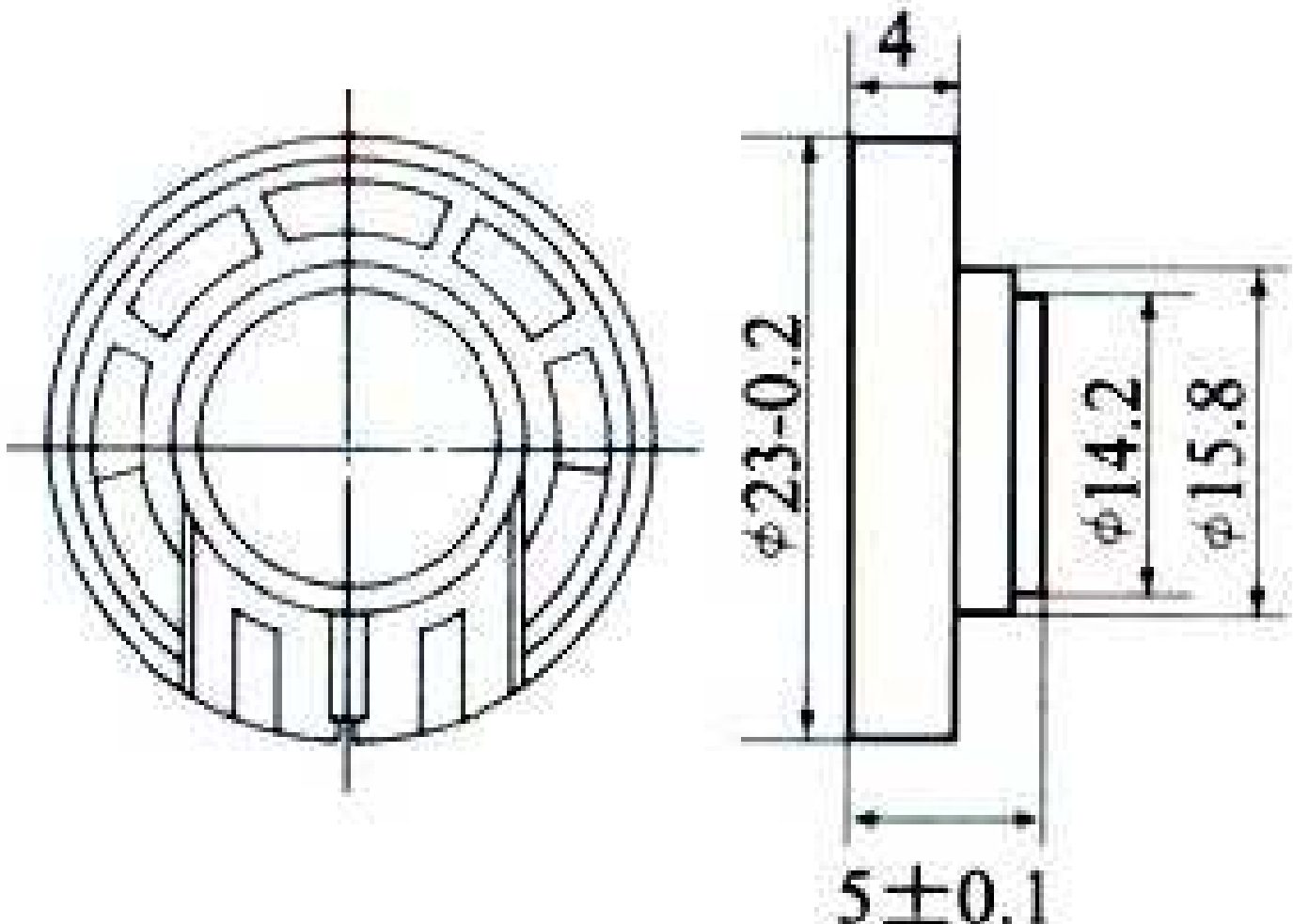


Sales Outline DrawingRevision **B****Specifications:**

| | |
|-----------------------------------|---|
| Voice Coil Impedance (Ω) | $8 \pm 15\%$ at 800 Hz / 1.0 V |
| Rated Input (W) | 0.25 |
| Max. Input (W) | 0.30 |
| Lowest Resonance Freq F_o (Hz) | $900 \pm 20\%$ |
| Frequency Range (Hz) | $F_o \sim 6500$ |
| Output S.P.L. (dB) | 81 ± 3 at 1W 1M .8k, 1k, 1.2k, 1.5kHz |
| Magnet Size (mm) | $\varnothing 16.0 * 1.9$ |
| Magnet | Ferrite |
| Core Material Mylar | Transparent |
| Frame Material | Plastic |
| Operation / Storage Temp | -25 to 50°C |
| Options | For other options contact factory |

Dimensions: (units: mm)**ROHS Compliant**

Frequency Response:

