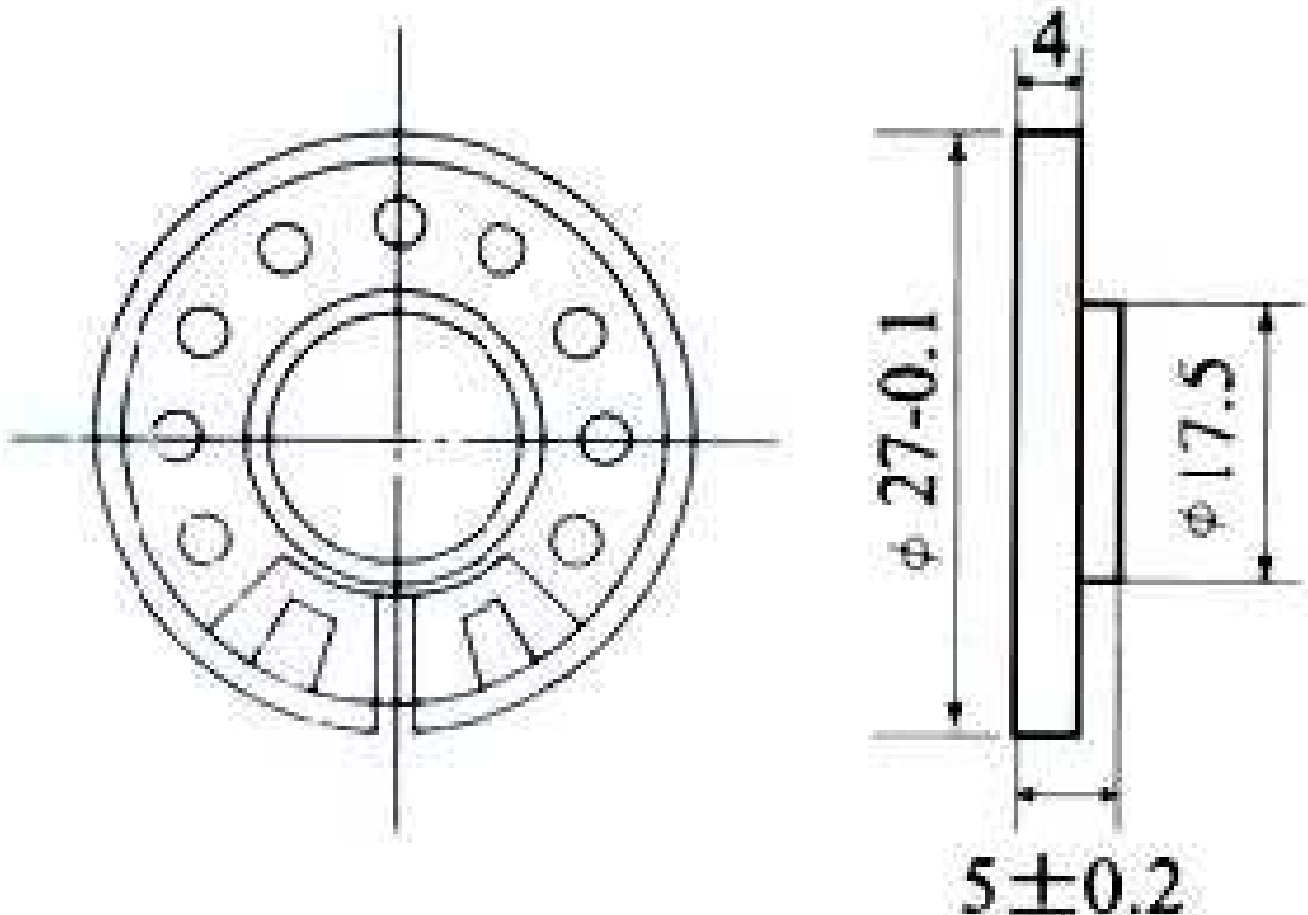


**Sales Outline Drawing**

Revision

**B****Specifications:**

Voice Coil Impedance ( $\Omega$ )	$8 \pm 15\%$ at 800 Hz / 1.0 V
Rated Input (W)	0.25
Max. Input (W)	0.5
Lowest Resonance Freq $F_o$ (Hz)	$750 \pm 20\%$
Frequency Range (Hz)	$F_o \sim 7000$
Output S.P.L. (dB)	$84 \pm 3$ at 1W 1M .8k, 1k, 1.2k, 1.5kHz
Magnet Size (mm)	$\varnothing 12.5 * 1.5$
Magnet	Ferrite
Core Material Mylar	Transparent Radial
Frame Material	Plastic
Operation / Storage Temp	-25 to 50°C
Options	For other options contact factory

**Dimensions:** (units: mm)**ROHS Compliant**

### Frequency Response:

