

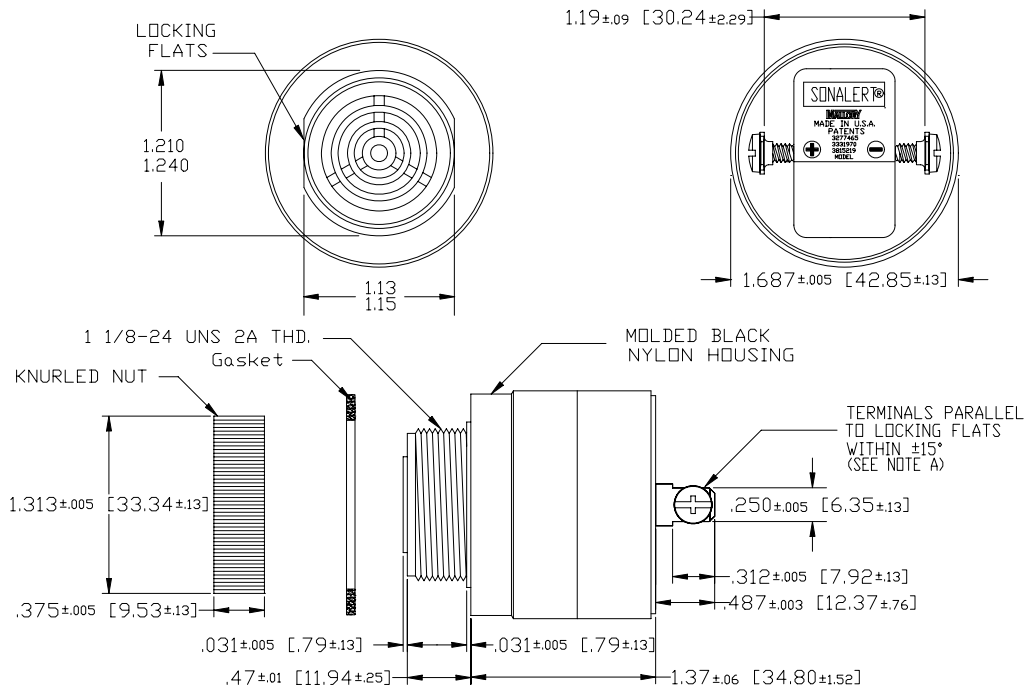
Specifications:

| | |
|-------------------------|--|
| Sound level Category | Medium Sound Level |
| Mode of Operation | Fast Pulse |
| Voltage Rating | 60 to 250 Vac/dc |
| Frequency | 2900 Hz ± 500 Hz |
| Loudness | 68 - 78 dB(A) min. @ 2 FT @ 60 - 250 Vac/dc |
| Current Draw | 13 mA Max |
| Pulse Rate (PPS) | 2.0 – 10.0 |
| Storage Temperature | -40°C to +85°C |
| Operating Temperature | -30°C to +65°C |
| Weight (Typical) | 2.7 oz (76 g) |
| Housing | 6/6 Nylon, Color Black |
| Environmental Approvals | NEMA 3R, 4X & 12; IP-66; CSA C22.2 No. 94; Hazardous Loc. Class I, Div, II, Grps A, B, C & D |
| Panel Mounting | Recommended hole size is 1.25" (31.75mm). Threaded front will fit standard 30mm (1.181") hole. |
| Mounting (see note B) | Gasket (included with alarm) must be used to ensure compliance to all Environmental Approvals. |
| Options | For other options contact factory |

Dimensions: Inches (mm)

UL Recognized 

ROHS Compliant



NOTE A: TERMINALS-.032 BRASS TIN PLATED, TAPPED FOR #6-32 SCREW. TWO #6-32 NICKEL PLATED BRASS SCREWS INCLUDED. WILL ACCEPT 1/4" QUICK CONNECT.

NOTE B: MOUNTING- REMOVE BLACK PLASTIC NUT WHILE LEAVING GASKET ON THREADED NECK OF ALARM. INSERT THREADED NECK THROUGH APPROPRIATE SIZED PANEL HOLE. SCREW NUT BACK ONTO THREADED FRONT SECURING ALARM TO PANEL. MAX RECOMMENDED TORQUE IS 10 IN-LBS.