

AXIS P5512/-E PTZ Dome Network Cameras

Compact, affordable day/night PTZ domes with 12x zoom.



- > 360° pan with Auto-flip
- > 12x optical zoom
- > Day/night, H.264
- > IP-rated protection against dust and water
- > Easy installation including Power over Ethernet (IEEE 802.3af)

The easy-to-install indoor AXIS P5512 and outdoor AXIS P5512-E are compact, affordably priced day and night pan/tilt/zoom dome cameras suitable for surveillance applications in areas such as stores, banks, hotels, warehouses, parking lots and business premises.

AXIS P5512/-E cameras enable users at a remote location to pan 360° for overview surveillance, tilt 180° and zoom in 12x with autofocus for detailed views. High image quality is maintained even in low light conditions, thanks to the cameras' day/night functionality.

The cameras provide H.264 and Motion JPEG streams at full frame rate in 4CIF resolution (704x480 in 60 Hz, 704x576 in 50 Hz). H.264 greatly optimizes bandwidth and storage without compromising image quality.

When an optional multi-connector cable is used, AXIS P5512 supports two-way audio, audio detection, input/output ports for external devices and AC/DC power.

The indoor AXIS P5512 has an IP51 rating, which ensures protection against dust and dripping water. The camera can operate even when the sprinkler system is activated.

The outdoor AXIS P5512-E has IP66 and NEMA 4X ratings, which ensure protection against dust, rain, snow, ice and corrosion. AXIS P5512-E can operate in temperatures from -20 °C to 50 °C (-4 °F to 122 °F) .

The SD/SDHC slot on AXIS P5512/-E cameras enables recordings to be stored locally.



Note: Mounting kits for hard and drop ceilings are included with AXIS P5512. Other mounts are sold separately.

Affordably priced AXIS P5512/-E provides features often associated with high-end PTZ domes

The compact AXIS P5512/-E PTZ Dome Network Cameras offer affordable and flexible solutions for remote and discreet monitoring of indoor or outdoor areas with broad surveillance and zoom capabilities.

Pan, tilt, zoom with guard tour

The cameras offer 360° pan via Auto-flip, 180° tilt, and 12x optical and 4x digital zoom with autofocus. They also enable guard tours, whereby the cameras can automatically go to different preset positions to check on different areas of a scene.



Overview



Zoomed in

Day/night functionality

The cameras have an automatically removable IR-cut filter that allows color videos to be sent during daytime and clear, black and white videos in low-light conditions.



Day mode



Night mode

Intelligent video and Advanced Gatekeeper

Intelligent video functions such as video motion detection, audio detection and applications supported by AXIS Camera Application Platform can be used as alarm triggers to activate recording and send notifications via e-mail, HTTP and TCP.

Advanced Gatekeeper enables AXIS P5512/-E cameras to automatically move to a preset position—for instance, zoom in to capture a license plate—when motion is detected in a pre-defined area and return to the home position after a set time.



One network cable for power, video/audio, PTZ controls

Both the indoor and outdoor cameras support standard Power over Ethernet (PoE) IEEE 802.3af, enabling easy installation. The cameras simply connect to either a PoE-enabled switch or via a PoE midspan to a switch with one network cable for carrying power, video/audio and PTZ controls. A PoE midspan is not supplied with the cameras.

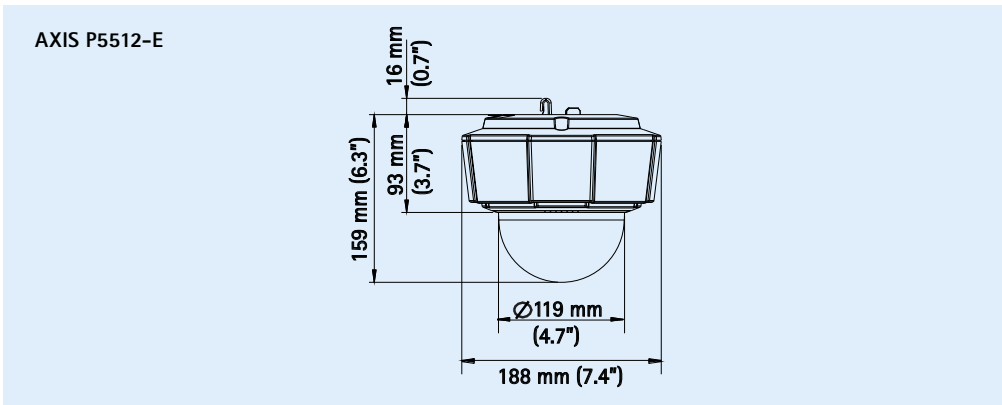
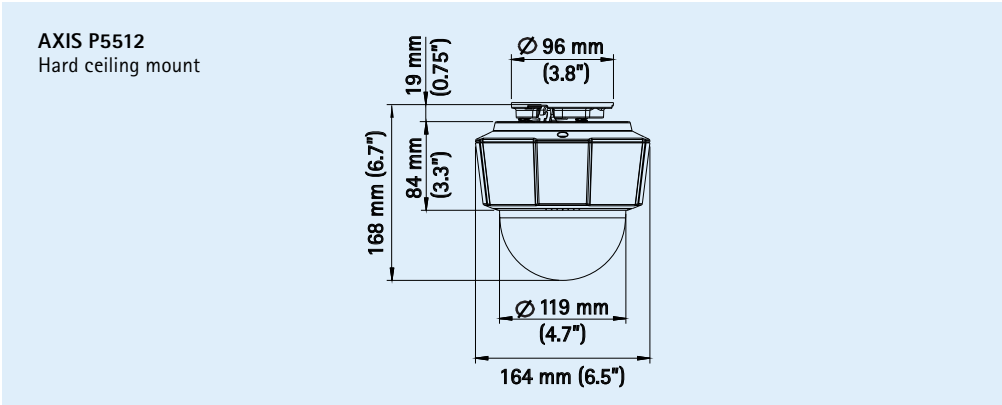
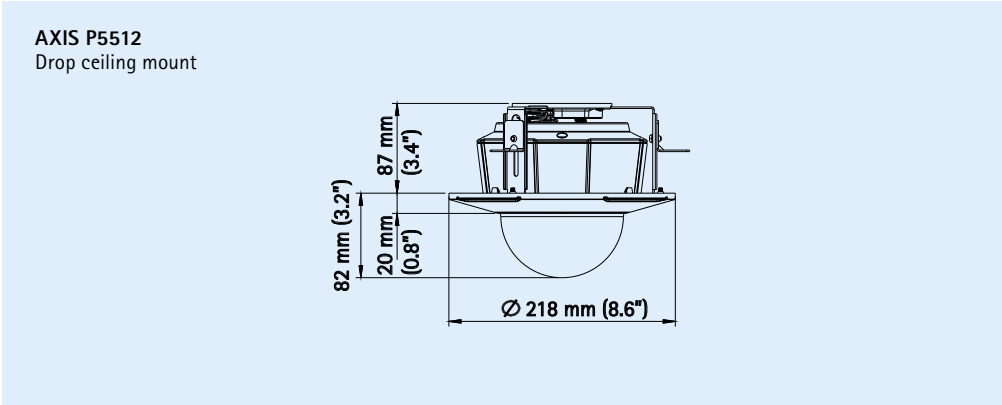


Reliable and easy installation

AXIS P5512/-E cameras have IP ratings, in addition to a NEMA rating for the outdoor cameras, ensuring reliable operation in indoor or outdoor environments. No additional enclosures are required. The cameras are also designed with easy bayonet mounting to Axis' standard mounting accessories for ceiling, wall, pole or corner installations. Mounting brackets for hard and soft ceilings are included with the indoor AXIS P5512.



Compact design:
less than 19 cm (7.5") wide



Optional accessories

AXIS T91A Mounting Accessories



Wall



Corner



Pendant kit



Ceiling

AXIS T90A Illuminators



AXIS T8310 Video Surveillance Control Board



AXIS PoE Midspan 1-port



100-240 V AC

AXIS T81B22 DC 30 W Midspan



12/24 V DC

For AXIS P5512:
Multi-connector cable for AC/DC power, I/Os and audio



For AXIS P5512-E:
AXIS P8221 Network I/O Audio Module



AXIS Camera Station and video management software from Axis' Application Development Partners. For more information, see www.axis.com/products/video/software/

Technical specifications – AXIS P5512/-E PTZ Dome Network Cameras

Camera		General	
Models	AXIS P5512 60 Hz; AXIS P5512 50 Hz AXIS P5512-E 60 Hz; AXIS P5512-E 50 Hz	Casing	Acrylic (PMMA) clear dome AXIS P5512: IP51-rated aluminum and plastic casing AXIS P5512-E: IP66- and NEMA 4X-rated aluminum and plastic casing, sunshield (PC/ASA)
Image sensor	1/4" CCD	Memory	256 MB RAM, 128 MB Flash
Lens	f=3.8 – 46 mm, F1.6 – 2.7, autofocus, automatic day/night Horizontal angle of view: 51.6° – 4.4°	Power	Power over Ethernet IEEE 802.3af Class 3 AXIS P5512: 20–24 V AC, max. 23.4 VA; 24–34 V DC, max. 15.6 W
Minimum illumination	Color: 1 lux at 30 IRE F1.6 B/W: 0.3 lux at 30 IRE F1.6	Connectors	RJ-45 for 10BASE-T/100BASE-TX PoE AXIS P5512: Multi-connector (cable not included) for AC/DC power, 4 configurable alarm inputs/outputs, mic in, line mono input, line mono output to active speaker AXIS P5512-E: IP66-rated RJ-45 connector kit included
Shutter time	1/50000 s to 4/3 s (60 Hz), 1/50000 s to 8/5 s (50 Hz)	Local storage	SD/SDHC memory card slot (card not included)
Pan/tilt/zoom	E-flip, Auto-flip, 100 preset positions Pan: 360° (with Auto-flip), 1.8° – 100°/s Tilt: 180°, 1.8° – 100°/s 12x optical zoom and 4x digital zoom, total 48x zoom	Operating conditions	AXIS P5512: 0 °C to 50 °C (32 °F to 122 °F) Humidity 15 – 85% RH (non-condensing) AXIS P5512-E: -20 °C to 50 °C (-4 °F to 122 °F) Humidity 15–100% RH (condensing)
Pan/tilt/zoom functionalities	Limited guard tour Control queue On-screen directional indicator	Approvals	EN 55022 Class B, EN 61000-3-2, EN 61000-3-3, EN 61000-6-1, EN 61000-6-2, EN 55024, FCC Part 15 Subpart B Class B, ICES-003 Class B, VCCI Class B, C-tick AS/NZS CISPR 22, EN 60950-1, KCC Class B; AXIS P5512: IEC 60529 IP51; IEC 60721-4-3 Class 3K3, 3M3, EN/IEC 60068-2 AXIS P5512-E: IEC 60529 IP66, NEMA 250 Type 4X; IEC 60721-4-3 Class 4K1, 4C3, 4M3, EN/IEC 60068-2
Video		Weight	AXIS P5512: 1.1 kg (2.4 lb.), with drop-ceiling mount: 1.6 kg (3.5 lb.) AXIS P5512-E: 1.2 kg (2.6 lb.)
Video compression	H.264 (MPEG-4 Part 10/AVC) Motion JPEG	Included accessories	Smoked dome cover, Installation Guide, Installation and Management Software CD, Windows decoder 1-user license AXIS P5512: Mounting kit for hard and drop ceilings AXIS P5512-E: Sunshield, IP66-rated RJ-45 connector kit
Resolutions	704x480 to 176x120 (60 Hz) 704x576 to 176x144 (50 Hz)		
Frame rate	H.264: Up to 30/25 fps (60/50 Hz) in all resolutions Motion JPEG: Up to 30/25 fps (60/50 Hz) in all resolutions		
Video streaming	Multiple, individually configurable streams in H.264 and Motion JPEG Controllable frame rate and bandwidth VBR/CBR H.264		
Image settings	Manual shutter time, compression, brightness, sharpness, white balance, exposure control, backlight compensation, fine tuning of behavior at low light, rotation, aspect ratio correction, text and image overlay, image freeze on PTZ		
Audio (AXIS P5512 only)			
Audio streaming	Two-way		
Audio compression	AAC-LC 8/16 kHz, G.711 PCM 8 kHz, G.726 ADPCM 8 kHz Configurable bit rate		
Input/output	Requires multi-connector cable (sold separately) for external microphone or line input, and line output		
Network			
Security	Password protection, IP address filtering, HTTPS encryption*, IEEE 802.1X network access control*, digest authentication, user access log		
Supported protocols	IPv4/v6, HTTP, HTTPS*, SSL/TLS*, QoS Layer 3 DiffServ, FTP, SMTP, Bonjour, UPnP, SNMPv1/v2c/v3 (MIB-II), DNS, DynDNS, NTP, RTSP, RTP, TCP, UDP, IGMP, RTCP, ICMP, DHCP, ARP, SOCKS		
System integration			
Application Programming Interface	Open API for software integration, including VAPIX® and AXIS Camera Application Platform; specifications at www.axis.com Includes the ONVIF specification available at www.onvif.org Support for AXIS Video Hosting System (AVHS) with One-Click Camera Connection		
Intelligent video	Video motion detection, Advanced Gatekeeper, AXIS Camera Application Platform AXIS P5512: Audio detection		
Alarm triggers	Video motion detection, PTZ preset, temperature, memory card full, AXIS Camera Application Platform AXIS P5512: External input, audio detection		
Alarm events	File upload via FTP, HTTP and email Notification via email, HTTP and TCP Go to PTZ preset, run guard tour, record to local storage Pre- and post-alarm video buffering AXIS P5512: External output, play audio clip		
Built-in installation aid	Pixel counter		

*This product includes software developed by the OpenSSL Project for use in the OpenSSL Toolkit. (www.openssl.org)

More information is available at www.axis.com