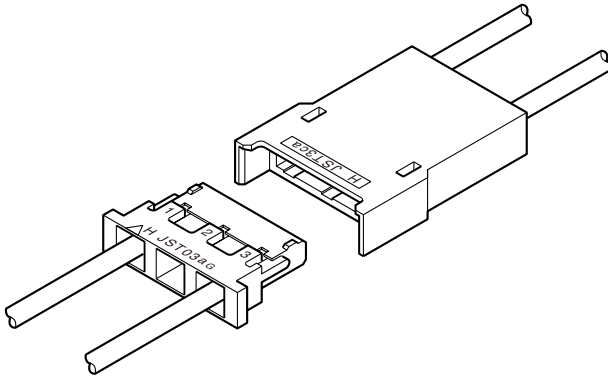


# BHM CONNECTOR

4.0/8.0mm pitch/Disconnectable Crimp style Wire-to-wire connectors





**Wire-to-wire version connectors, designed for liquid crystal display back light lamps.**

- **Contact lances**
- **Box shaped housing**

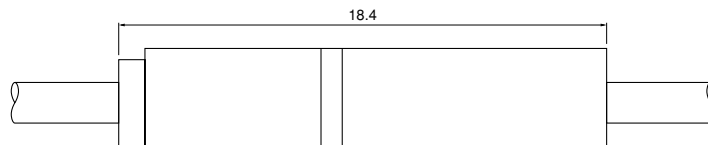
## Specifications

- Current rating: 1.0A AC, DC max.
  - Voltage rating: 600V AC, DC max.
  - Temperature range: -25°C to +85°C  
(including temperature rise in applying electrical current)
  - Contact resistance: Initial value/10m  $\Omega$  max.  
After environmental testing/20m  $\Omega$  max.
  - Insulation resistance: 1,000M  $\Omega$  min.
  - Withstanding voltage: 1,800V AC/minute
  - Applicable wire: AWG #28 to #22  
0.08 to 0.33mm<sup>2</sup>
- \* Compliant with RoHS.  
\* Refer to "General Instruction and Notice when using Terminals and Connectors" at the end of this catalog.  
\* Contact JST for details.

## Standards

-  Recognized E60389
-  Certified LR20812

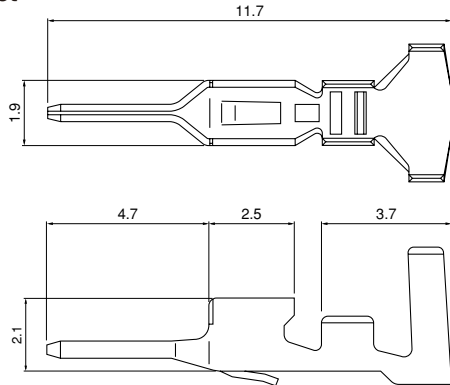
## Assembly layout



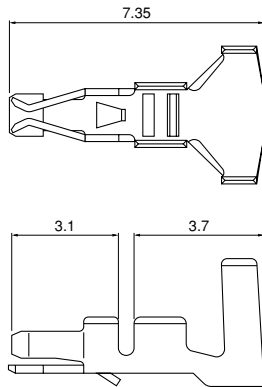
# BHM CONNECTOR

## Contact

### Pin contact



### Socket contact



Model No.		Applicable wire		Insulation O.D. (mm)	Q'ty / reel
Pin contact	Socket contact	mm <sup>2</sup>	AWG #		
<b>SBHM-001T-P0.5</b>	<b>SBH-001T-P0.5</b>	0.08~0.33	28~22	1.6~2.4	4,000

### Material and Finish

Phosphor bronze, tin-plated (reflow treatment)

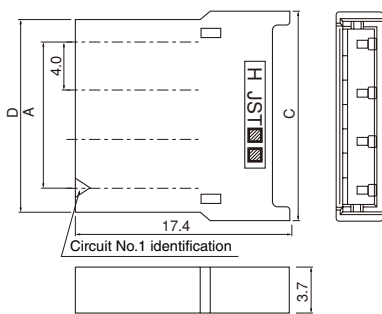
### RoHS compliance

Contact	Crimping machine	Applicator		
		Crimp applicator	Dies	Crimp applicator with dies
<b>SBHM-001T-P0.5</b>	AP-K2N	MKS-L	MK/SBH/M-001-05	APLMK SBH/M001-05
		*MKS-SC1-1	SC/SBH/M-001-05	APLSC SBH/M001-05
<b>SBH-001T-P0.5</b>	AP-K2N	MKS-L	MK/SBH/M-001-05	APLMK SBH/M001-05
		*MKS-SC1-1	SC/SBH/M-001-05	APLSC SBH/M001-05

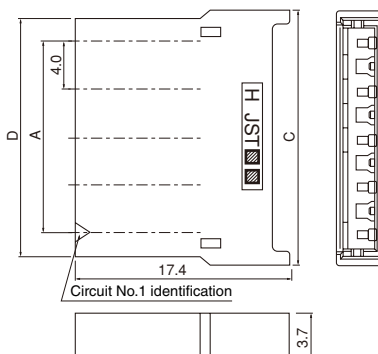
Note: \*Strip-crimp applicator

## Housing

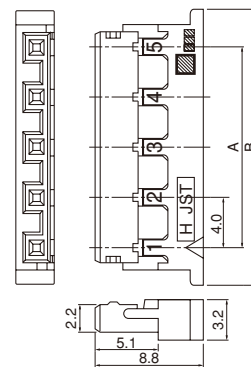
### Receptacle housing (for pin contact) (2 to 4 circuits)



### (5 circuits)



### Socket housing (for socket contact)



Circuits	Model No.		Dimensions (mm)				Q'ty / bag
	Receptacle housing	Socket housing	A	B	C	D	
2	<b>BHMR-02V</b>	<b>BHR-02VS-1</b>	4.0	9.8	9.1	7.8	1,000
3	<b>BHMR-03V</b>	<b>BHR-03VS-1</b>	8.0	13.8	13.1	11.8	1,000
4	<b>BHMR-04V</b>	<b>BHR-04VS-1</b>	12.0	17.8	17.1	15.8	1,000
5	<b>BHMR-05V-R</b>	<b>BHR-05VS-1</b>	16.0	21.8	21.1	19.8	1,000

### Material

PA 66, UL94V-0, natural (white)

### RoHS compliance

Note: BHMR-05V-R and BHR-05VS-1 have ribs against prying.