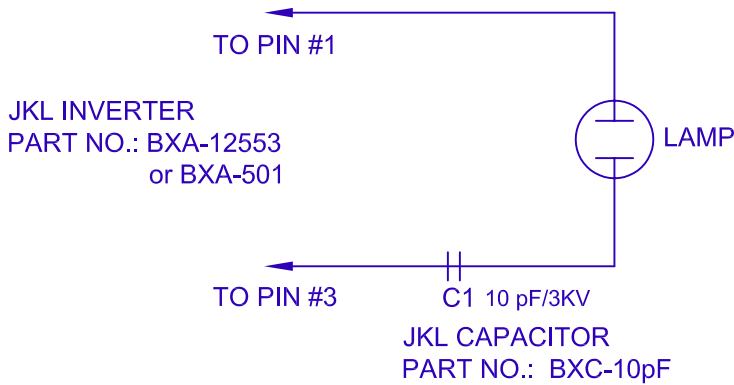
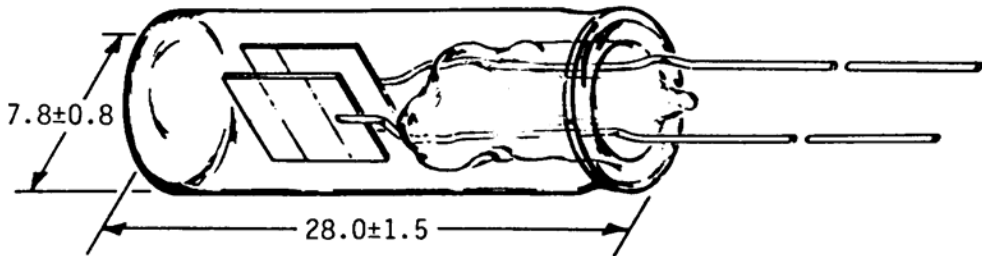
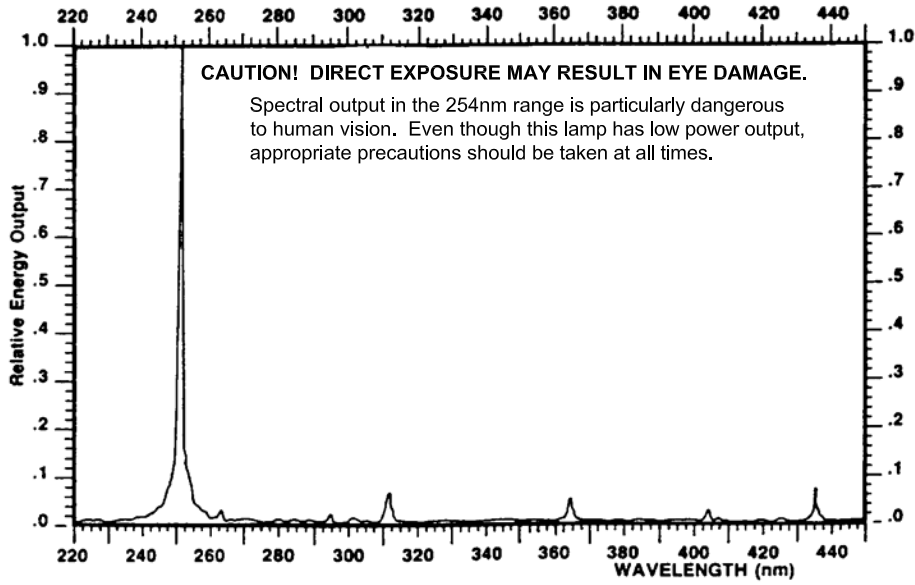


**SPECTRAL EMISSIONS CHART**



JKL PART NUMBER	ARC LENGTH (mm)	Vrms	mArms	WATTS	OUTPUT uW/cm2 @ (25.4mm)	OUTPUT FLUX uW (Typ.)	LIFE HOURS
BF727-UVC	2	135	1.5	0.2	1	75	10,000

<p>METRIC THIRD ANGLE PROJECTION</p>	<p>DIMENSIONS ARE IN MILLIMETERS</p> <p>TOLERANCE UNLESS OTHERWISE SPECIFIED</p> <p>1 PL +/- REF</p> <p>2 PL +/- ANGLE +/-</p>	<p><b>JKL COMPONENTS CORPORATION</b></p>					
	<p>DRAWN BY L. WENGSTROM</p> <p>APPV'D BY L.R.</p> <p>DATE 1/15/07</p>	<p>SIZE <b>A</b></p> <p>SCALE NONE</p>	<p>FSCM NO. <b>55335</b></p>	<p>DRAWING NO. <b>BF727-UVC</b></p>	<p>TITLE <b>MINIATURE ULTRAVIOLET LAMP 254nm SPECTRAL RANGE (UVC)</b></p>		
<p>REV. NO. A</p> <p>DESCRIPTION/ECO NUMBER</p> <p>RELEASED TO CAD</p>	<p>DATE 11/11/05</p>	<p>- CAD DRAWING - MANUAL REVISIONS NOT PERMITTED</p>		<p>RELEASED DATE 11/11/05</p>	<p>REVISION DATE 1/15/07</p>	<p>REV. NO. <b>A</b></p>	<p>SHEET 1 OF 1</p>