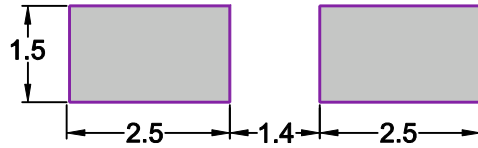
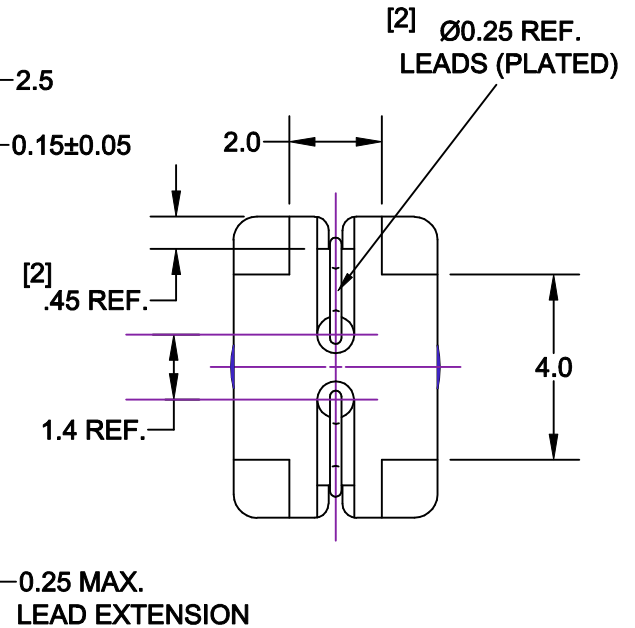
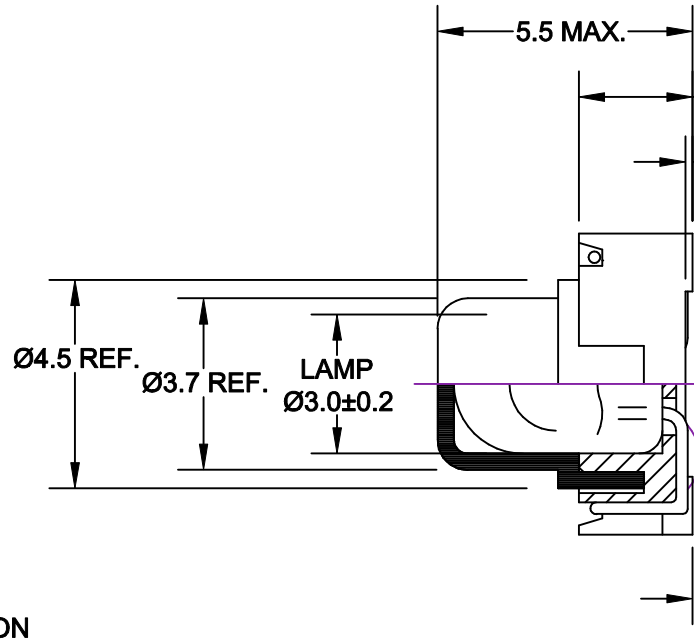
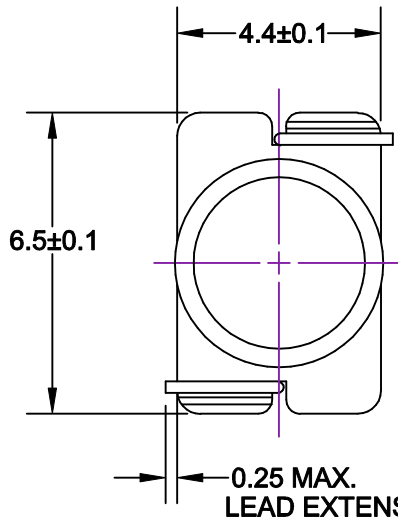
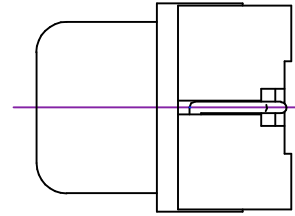


REV.	DESCRIPTION/ECO NO.	DATE
	RELEASED - was P-9911-14-2 and FILTER 39-26-150	11/23/99
A	CHANGE LEAD CUTAWAY PROFILE	11/29/99
B	ADD NOTE & DIM CHNGS.	1/25/00
C	DELETE NOTE	11/28/00



RECOMMENDED DIMENSIONS FOR PC-BOARD PAD



LAMP NUMBER: 7152					
VOLTS RATED	AMPS ± 10%	*MSCP ± 25%	*LUMENS ± 25%	AVERAGE LIFE HRS.	FILAMENT TYPE
5.0	.115	.150	1.89	20,000**	C-2R

*LAMP RATING ONLY WITHOUT BASE AND FILTER

FILTER NUMBER: 39-26-1A	
COLOR REF.	COORDINATES
RED PONTIAC	x = 0.6920 ± .025 y = 0.3036 ± .025

**DERIVED FROM ACCELERATED TESTING

JKL PART NUMBER: CSD4-7152/39-26-1A

 METRIC THIRD ANGLE PROJECTION	DIMENSIONS ARE IN MILLIMETERS TOLERANCE UNLESS OTHERWISE SPECIFIED 1 PL +/- 0.2 2 PL +/- 0.20 ANGLE +/- 0	JKL COMPONENTS CORPORATION				
	TITLE T-1 SURFACE MOUNT LAMP WITH BASE AND FILTER (LOW PROFILE)					
DRAWN BY L. WENGSTROM	APPVD BY JK	DATE 11/28/00	SIZE A	FSCM NO. 55335	DRAWING NO. CSD4-7152/39-26-1A	REV. C
- CAD DRAWING - MANUAL REVISIONS NOT PERMITTED			SCALE NONE	RELEASED DATE 11/29/99	REVISION DATE 11/28/00	SHEET 1 OF 1