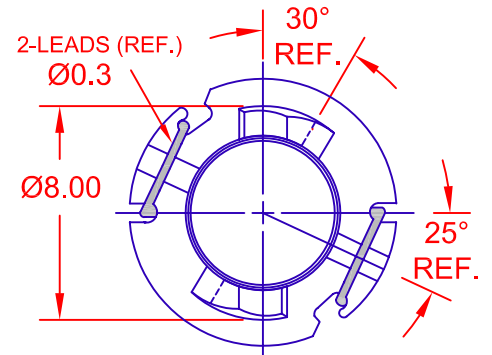
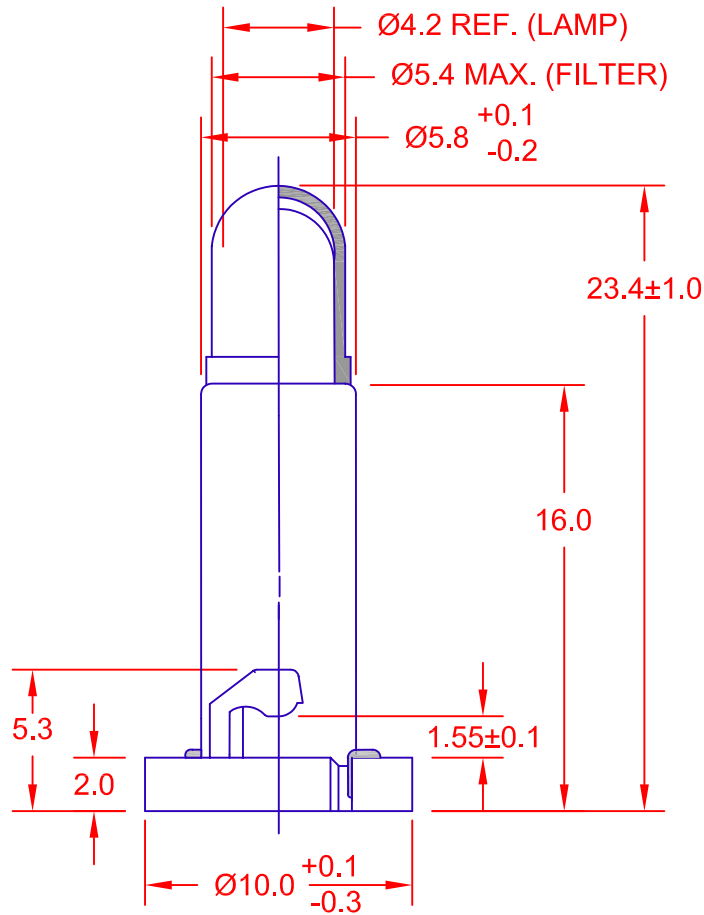
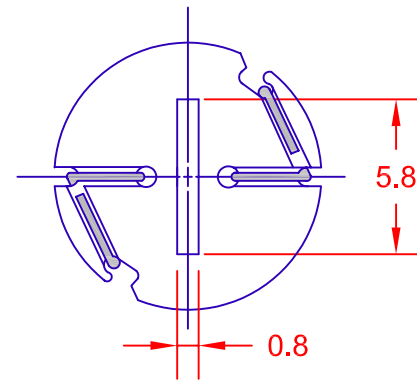


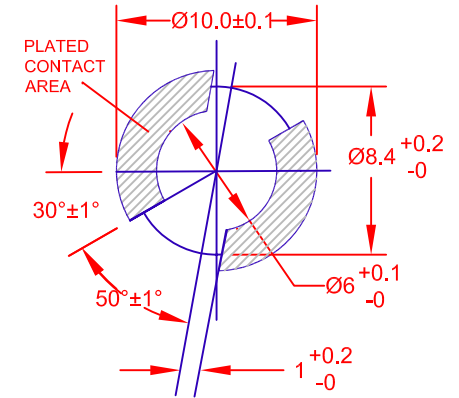
REV.	DESCRIPTION/ECO NO.	DATE
	RELEASED	11/10/10



TOP VIEW



BOTTOM VIEW



PC BOARD PUNCH PATTERN  
(NO TREATMENT, SUCH AS APPLICATION OF FLUX, SHALL BE DONE.)

<b>LAMP NUMBER: DW07</b>					
VOLTS RATED	AMPS ± 10%	*MSCP ± 25%	*LUMENS ± 25%	AVERAGE LIFE HRS.	FILAMENT TYPE
14.0	.080	.300	3.77	15,000	C-2V

\*LAMP RATING ONLY WITHOUT BASE AND FILTER

<b>FILTER NUMBER: 39-04-4H</b>
COLOR GREEN

<b>BASE COLOR</b>
GRAY

**JKL PART NUMBER: DNW1-DW07/GRA/22MM/39-04-4H**

<b>METRIC</b>  THIRD ANGLE PROJECTION	DIMENSIONS ARE IN MILLIMETERS TOLERANCE UNLESS OTHERWISE SPECIFIED 1 PL +/- 0.2 2 PL +/- 0.20 ANGLE +/- 0	<b>JKL COMPONENTS CORPORATION</b>			
	TITLE DNW1 EXTENDED NEO-WEDGE BASE WITH DW07 LAMP AND 39-04 FILTER				
DRAWN BY L. WENGSTROM	APPV'D BY L.R.	DATE 11/10/10	SIZE <b>A</b>	FSCM NO. <b>55335</b>	DRAWING NO. DNW1-DW07/GRA/22MM/39-04-4H
- CAD DRAWING - MANUAL REVISIONS NOT PERMITTED			SCALE NONE	RELEASED DATE 11/10/10	REVISION DATE
				REV. NO.	SHEET 1 OF 1