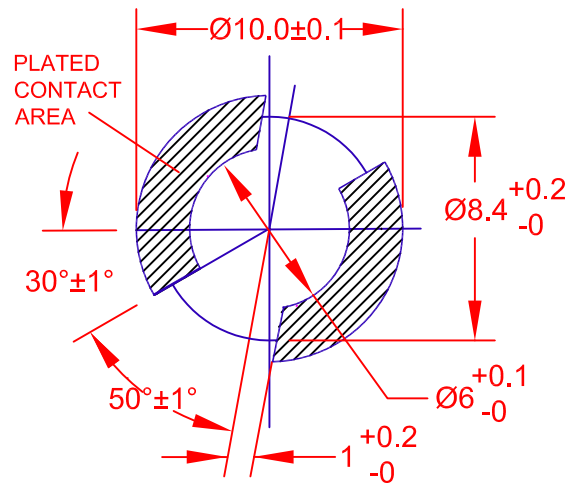
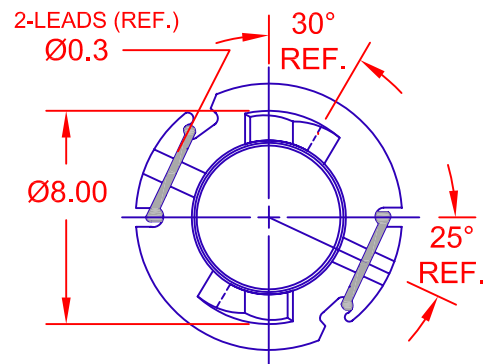
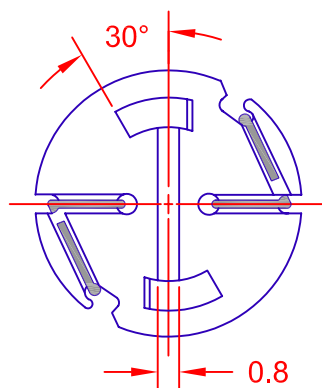
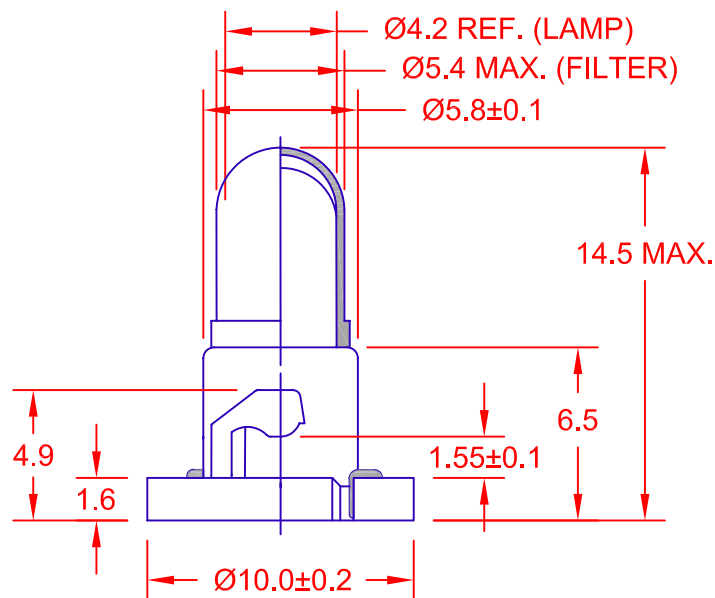


REV.	DESCRIPTION/ECO NO.	DATE
	RELEASE	10/22/07
A	CHANGE FILTER y COORDINATE	11/30/07
B	CHANGE FILTER x & y COORDINATE	12/20/07



PC BOARD PUNCH PATTERN
(NO TREATMENT, SUCH AS APPLICATION OF FLUX, SHALL BE DONE.)



JKL PART NUMBER: DNW1-DW33/GRA/39-04-5T

LAMP NUMBER: DW33

VOLTS RATED	AMPS ± 10%	*MSCP ± 25%	*LUMENS ± 25%	AVERAGE LIFE HRS.	FILAMENT TYPE
14.0	.125	.700	9.00	5,000	C-2F

* LAMP RATING ONLY WITHOUT BASE AND FILTER.

FILTER NUMBER: 39-04-5T

BASE COLOR: GRAY

COLOR COORDINATES (SPHERE):

x = .208 ± .025

y = .440 ± .025

METRIC		DIMENSIONS ARE IN MILLIMETERS		JKL COMPONENTS CORPORATION			
 THIRD ANGLE PROJECTION	TOLERANCE UNLESS OTHERWISE SPECIFIED		TITLE T-1 1/4 NEO-WEDGE BASE WITH DW33 LAMP AND 39-04 FILTER				
	1 PL +/- 0.3 2 PL +/- 0.30 ANGLE +/- 0						
DRAWN BY L. WENGSTROM	APP'VD BY L.R.	DATE 12/20/07	SIZE A	FSCM NO. 55335	DRAWING NO. DNW1-DW33/GRA/39-04-5T		
- CAD DRAWING - MANUAL REVISIONS NOT PERMITTED			SCALE NONE	RELEASED DATE 10/22/07	REVISION DATE 12/20/07	REV. NO. B	