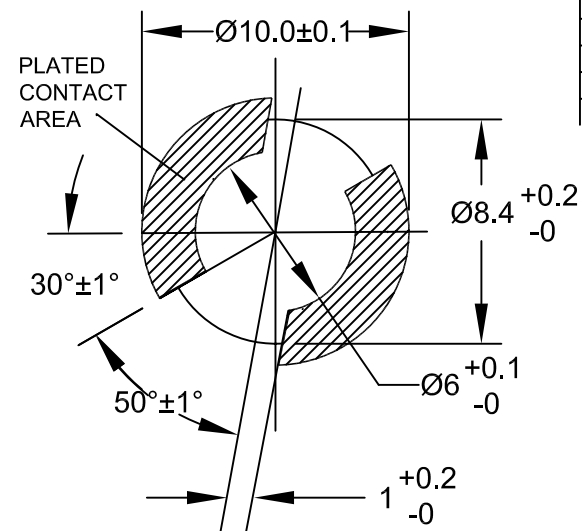
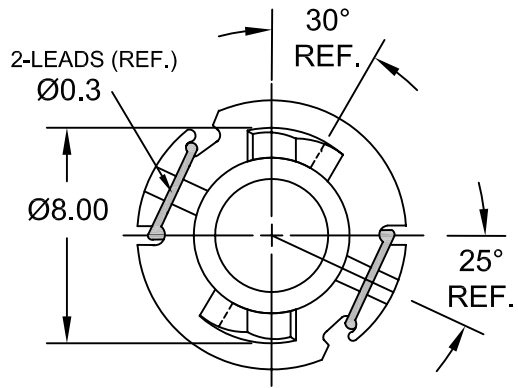
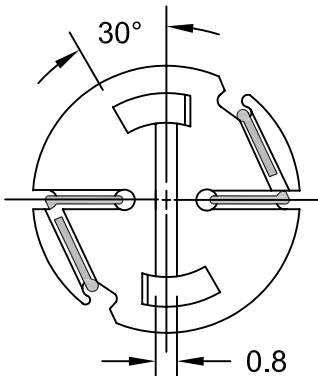
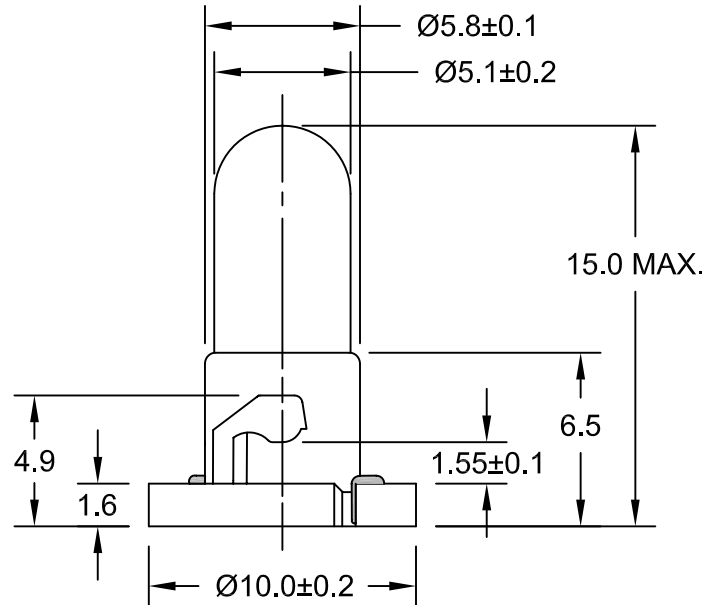


REV.	DESCRIPTION/ECO NO.	DATE
	RELEASED	11/19/02
A	CHANGE TO LEAD (Pb) FREE ASSEMBLY	1/18/05



**PC BOARD PUNCH PATTERN**  
 (NO TREATMENT, SUCH AS APPLICATION OF FLUX, SHALL BE DONE.)



**JKL PART NO.: DNW1-EW87/GRA\*\*\***

JKL LAMP NUMBER	VOLTS RATED	AMPS ±10%	*MSCP ±25%	*LUMENS ±25%	AVERAGE LIFE HRS.	FILAMENT TYPE
EW87**	14.0	.140	.95*	12.0*	7,000 D.C.	C-2V

\*LAMP RATED ONLY WITHOUT BASE  
 \*\*LAMP GLASS LEAD (Pb) FREE  
 \*\*\*LAMP AND BASE ASSEMBLY LEAD (Pb) FREE

CONTACT JKL FOR LEAD (Pb) FREE LOT IDENTIFICATION  
**BASE COLOR: GRAY**

<p>METRIC THIRD ANGLE PROJECTION</p>	DIMENSIONS ARE IN MILLIMETERS TOLERANCE UNLESS OTHERWISE SPECIFIED 1 PL +/- 0.2 2 PL +/- 0.20 ANGLE +/- 0		<h1>JKL COMPONENTS CORPORATION</h1>			
			TITLE T-1 1/4 NEO-WEDGE GRAY BASE WITH T-1 1/2 EW87 LAMP			
DRAWN BY L. WENGSTROM	APPV'D BY J.K.	DATE 1/18/05	SIZE A	FSCM NO. 55335	DRAWING NO. DNW1-EW87/GRA	
- CAD DRAWING - MANUAL REVISIONS NOT PERMITTED			SCALE NONE	RELEASED DATE 11/19/02	REVISION DATE 1/18/05	REV. NO. A SHEET 1 OF 1