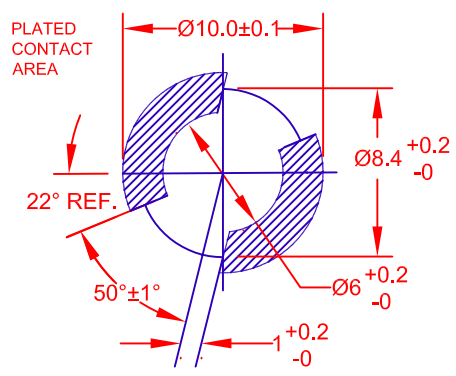
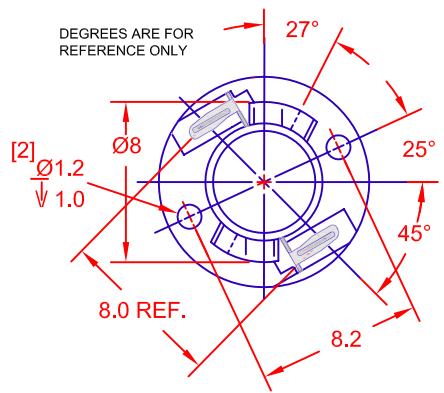
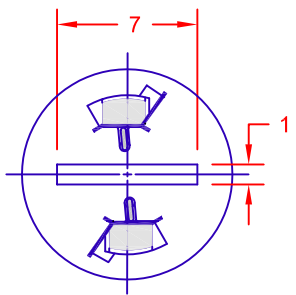
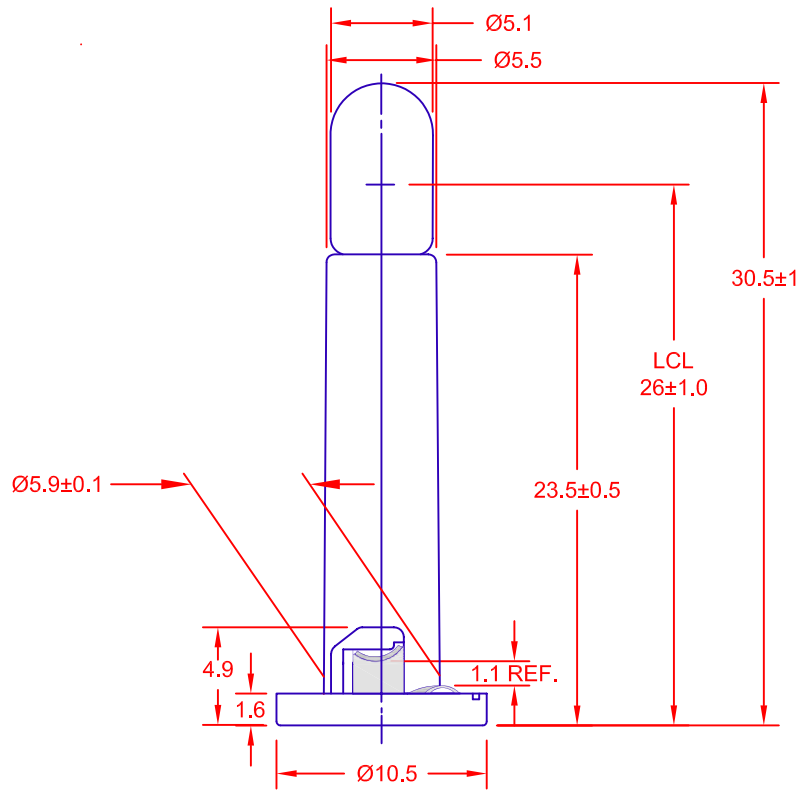


REV.	DESCRIPTION/ECO NO.	DATE
	RELEASED CONVERTED TO CAD	11/9/00
A	ADD PC BOARD THICKNESS DIM.	11/30/01
B	CHANGE TO (Pb) FREE ASSEMBLY	1/18/05
C	CORRECT NOTE	2/21/05



P.C. BOARD
THICKNESS 1.6±0.1mm



JKL PART NUMBER: DNW21-EW87/GRA/32.5MM****

LAMP NUMBER: EW87 SHIBORI***

VOLTS RATED	AMPS ± 10%	*MSCP ± 25%	*LUMENS ± 25%	AVERAGE LIFE HRS.	FILAMENT TYPE
14.0	.140	*.95 **.84	*12.00 **10.5	7,000	C-2V

- *LAMP RATING ONLY WITHOUT BASE
- **LAMP RATING IN BASE
- ***LAMP GLASS LEAD (Pb) FREE
- ****LAMP AND BASE ASSEMBLY LEAD (Pb) FREE

CONTACT JKL FOR LEAD (Pb) FREE LOT IDENTIFICATION

BASE COLOR
GRAY

<p>METRIC THIRD ANGLE PROJECTION</p>	<p>DIMENSIONS ARE IN MILLIMETERS</p> <p>TOLERANCE UNLESS OTHERWISE SPECIFIED</p> <p>1 PL +/- 0.2</p> <p>2 PL +/- 0.20</p> <p>ANGLE +/- 0</p>	<p>JKL COMPONENTS CORPORATION</p>			
	<p>TITLE T-1 1/4 DOUBLE CONTACT NEO-WEDGE BASE WITH EW87 SHIBORI LAMP</p>				
<p>DRAWN BY L. WENGSTROM</p>	<p>APPV'D BY J.K.</p>	<p>DATE 2/21/05</p>	<p>SIZE A</p>	<p>FSCM NO. 55335</p>	<p>DRAWING NO. DNW21-EW87/GRA/32.5MM</p>
<p>- CAD DRAWING - MANUAL REVISIONS NOT PERMITTED</p>			<p>SCALE NONE</p>	<p>RELEASED DATE 11/9/00</p>	<p>REVISION DATE 2/21/05</p>
				<p>REV. NO. C</p>	<p>SHEET 1 OF 1</p>