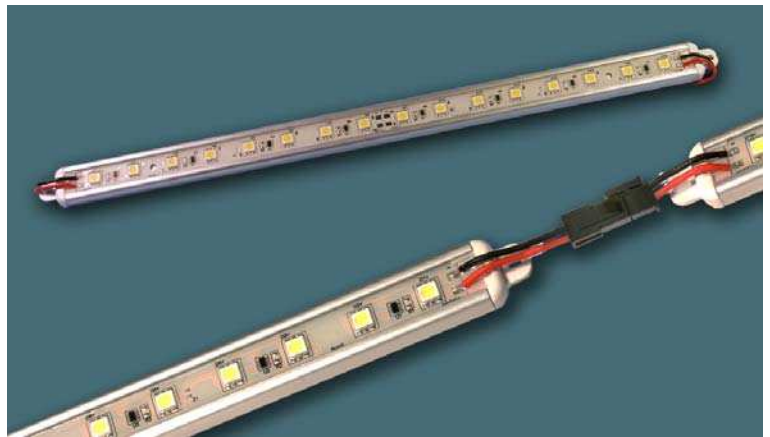


ALUMILINE[®] LED FIXTURE

Features

- High Brightness
- Long Life
- Low Power Consumption
- RoHS Compliant
- No UV Emission
- Thermally Optimized
- Low Profile
- IP65
- Mounting Holes for Ease of Installation



Maximum Ratings

Parameter	Symbol	Rating	Units
LED Junction Temperature	T _J	125	°C
Operating Temperature	T _{opr}	-30 ~ +85	°C
Storage Temperature	T _{stg}	-40 ~ +85	°C
Input Voltage	V _{in} DC	20 - 35	Volts

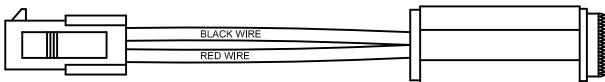
Accessories

- ZPS-20: 24V, 48W Power Supply with Input Connector Options
- ZPS-2435: 24V, 35 Watt Power Supply
- ZPS-2460: 24V, 60 Watt Power Supply
- ZDM-01: PWM LED Dimmer

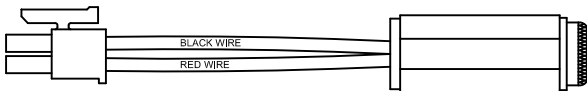
Note: ZPS-2435 and ZPS-2460 require use of wire nuts for connections.

Mating Components

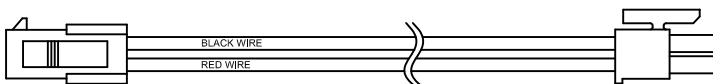
Input Connector Options allows for input to either side of bar allowing flexibility in design.



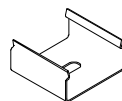
ZAF-CH-S: Input Connector for use with ZPS-20



ZAF-CH-S1: Input Connector for use with ZPS-20



ZAF-CH-J: Jumper Connector



ZAF-20-C: Mounting Clip

Note

Please refer to JKL Application Sheet **JKL-AS-ZAF-ALUMILINE** for Installation and Power recommendations.

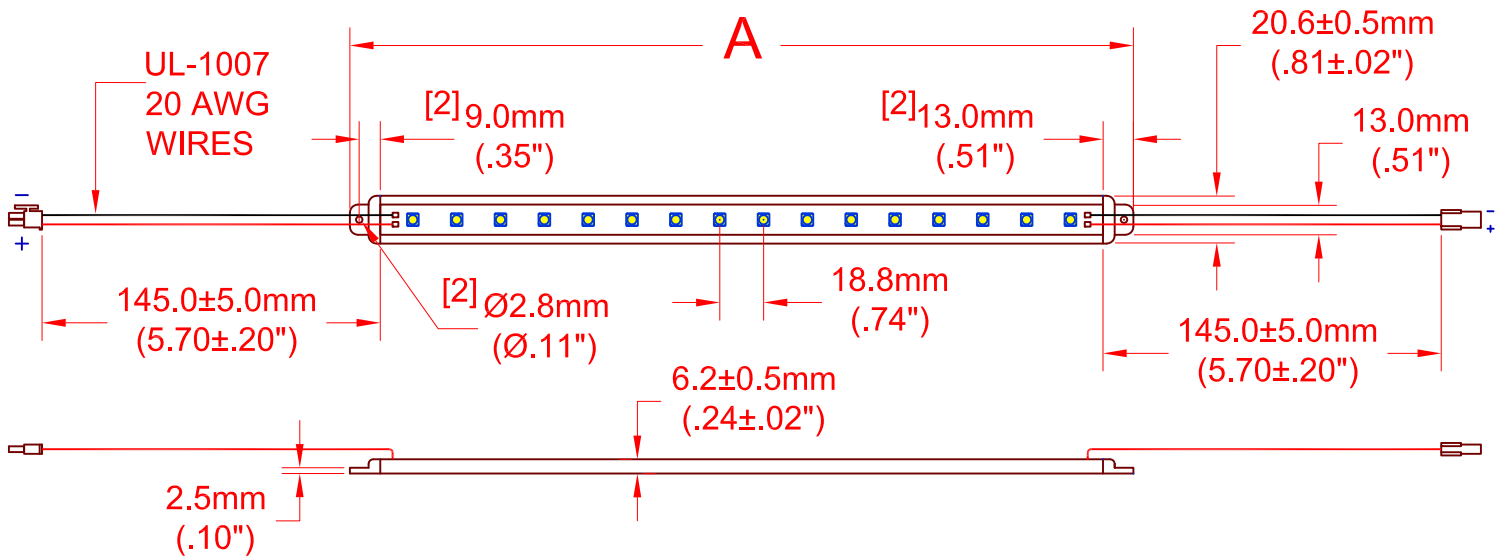
I	ADD NOTES, PART #'S & ILLUSTRATIONS	8/16/11
H	ADD WIRE TYPE AND SIZE	6/27/11
G	ADD US TO UL SYMBOL	2/28/11
F	ADD UL SYMBOL	11/2/10
E	CHNG DRW & CHARTS TO A 2 PAGE DOC.	8/4/10
D	CHNG CHART PG 1, +/- MOL DIMS ALL DRWS	7/8/10
C	ADD MOUNTING CLIP REF., CHNG PHOTO	11/12/09
B	ADD MATING COMPONENTS NOTE	7/16/09
A	PG 2 15 V DC TO 24 V DC & PART # CHNG	6/2/09
	RELEASED	5/5/09
REV. NO.	DESCRIPTION/ECO NUMBER	APPV'D DATE

METRIC	DIMENSIONS ARE MILLIMETER (INCH)
	TOLERANCE UNLESS OTHERWISE SPECIFIED
	1 PL +/- REF.
	2 PL +/- REF.
	ANGLE +/- REF.
THIRD ANGLE PROJECTION	
DRAWN BY L. WENGSTROM	APPV'D BY DATE L.R. 8/16/11
- CAD DRAWING -	
MANUAL REVISIONS NOT PERMITTED	

JKL COMPONENTS CORPORATION					
TITLE ALUMILINE[®] 24V DC LED FIXTURE					
SIZE A	FSCM NO. 55335	DRAWING NO.	ZAF-MULTI		
SCALE NONE	RELEASED DATE 5/6/09	REVISION DATE 8/16/11	REV. NO. 1	SHEET 1 OF 2	

ALUMILINE® LED FIXTURE

Dimensions



Electro-Optical Characteristics (Ta = 25°C)

COLOR: COOL WHITE 6000K

JKL Part Number	A DIM. ± 5.0mm (±0.2 inch)	Number LEDs	Power (W)	Current (mA)	Lumen Flux (lm)
ZAF-336-24CW	336.0 (13.23)	16	3.84	160	192
ZAF-486-24CW	486.0 (19.13)	24	5.76	240	288
ZAF-636-24CW	636.0 (25.00)	32	7.68	320	384
ZAF-936-24CW	936.0 (36.85)	48	11.52	480	576
ZAF-1236-24CW	1236.0 (48.66)	64	15.36	640	768

COLOR: NEUTRAL WHITE 4100K

ZAF-336-24NW	336.0 (13.23)	16	3.84	160	163
ZAF-486-24NW	486.0 (19.13)	24	5.76	240	245
ZAF-636-24NW	636.0 (25.00)	32	7.68	320	326
ZAF-936-24NW	936.0 (36.85)	48	11.52	480	490
ZAF-1236-24NW	1236.0 (48.66)	64	15.36	640	630

COLOR: WARM WHITE 3050K

ZAF-336-24WW	336.0 (13.23)	16	3.84	160	163
ZAF-486-24WW	486.0 (19.13)	24	5.76	240	245
ZAF-636-24WW	636.0 (25.00)	32	7.68	320	326
ZAF-936-24WW	936.0 (36.85)	48	11.52	480	490
ZAF-1236-24WW	1236.0 (48.66)	64	15.36	640	630