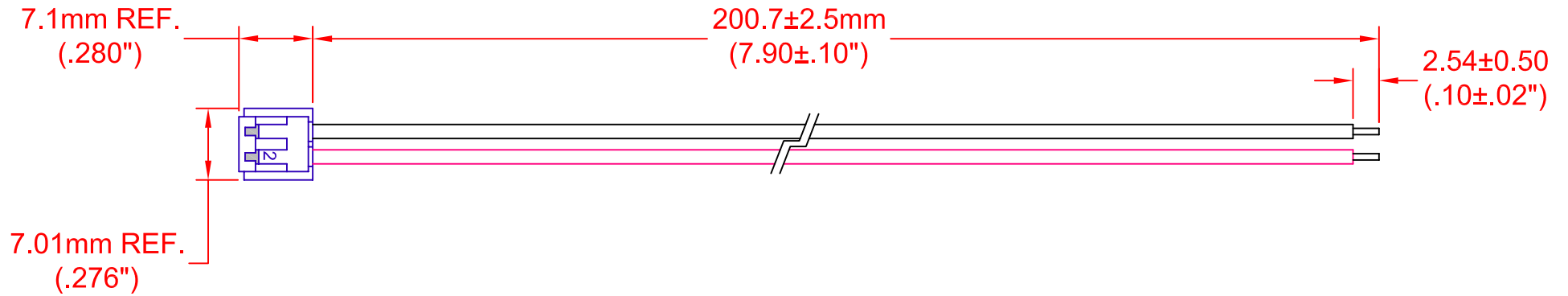


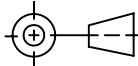
| REV.     | DESCRIPTION/ECO NO.         | DATE    |
|----------|-----------------------------|---------|
|          | RELEASE & CANCEL PL-0711-01 | 1/23/08 |
| <b>A</b> | ADD REV. NOTE               | 1/31/08 |
| <b>B</b> | CHNG. NOTE REF. NO.         | 8/6/08  |
|          |                             |         |
|          |                             |         |
|          |                             |         |



| PIN | WIRE TYPE | AWG | COLOR |
|-----|-----------|-----|-------|
| 1   | UL 1007   | 24  | BLACK |
| 2   | UL 1007   | 24  | RED   |

JKL PART NO.: ZCH-200-I

USED WITH JKL ZRS-8480 LED LIGHT BARS

|  |   |  |                  |                          |                                 |
|--|---|--|------------------|--------------------------|---------------------------------|
| <b>METRIC</b><br><br>THIRD ANGLE PROJECTION | DIMENSIONS ARE IN mm (INCHES)   | <b>JKL COMPONENTS CORPORATION</b><br>TITLE<br><b>INPUT CONNECTOR HARNESS</b> |                  |                          |                                 |
|  | TOLERANCE UNLESS OTHERWISE SPECIFIED<br>1 PL +/- REF.<br>2 PL +/- REF.<br>ANGLE +/- 0 |  |                  |                          |                                 |
| DRAWN BY<br>L. WENGSTROM   | APPV'D BY<br>L.R.   | DATE<br>8/6/08   | SIZE<br><b>A</b> | FSCM NO.<br><b>55335</b> | DRAWING NO.<br><b>ZCH-200-I</b> |
| - CAD DRAWING -<br>MANUAL REVISIONS NOT PERMITTED  |   |  | SCALE<br>NONE    | RELEASED DATE<br>1/23/08 | REVISION DATE<br>8/6/08         |
|  |   |  |                  | REV. NO. <b>B</b>        | SHEET<br>1 OF 1                 |