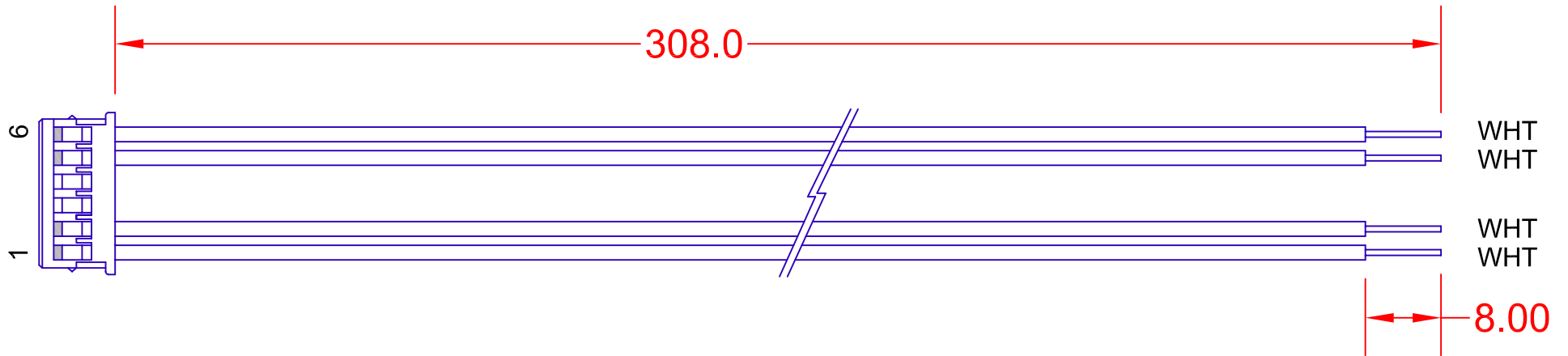


REV.	DESCRIPTION/ECO NO.	DATE
	RELEASED	7/3/01
A	ADD RoHS NOTE	4/27/06
B	CHNG WIRE TYPE FOR RoHS	2/16/07



PIN	WIRE TYPE	AWG	COLOR
1	UL 3613	24	WHT
2	UL 3613	24	WHT
3	NC		
4	NC		
5	UL 3613	24	WHT
6	UL 3613	24	WHT

JKL PART NO.: BXC-10655

NOTES:

- HOUSING M63M83-06 (MITSUMI)
- CONTACT M63C84-1 (MITSUMI)
- RoHS COMPLIANCE
(CONTACT JKL FOR RoHS LOT IDENTIFICATION)

METRIC		DIMENSIONS ARE IN MILLIMETERS		JKL COMPONENTS CORPORATION				
 THIRD ANGLE PROJECTION		TOLERANCE UNLESS OTHERWISE SPECIFIED 1 PL +/- 4.0 2 PL +/- 0.50 ANGLE +/- 0		TITLE				
				OUTPUT CONNECTOR HARNESS				
DRAWN BY	APPV'D BY	DATE	SIZE	FSCM NO.	DRAWING NO.	BXC-10655		
L. WENGSTROM	L. R.	2/16/07	A	55335				
- CAD DRAWING - MANUAL REVISIONS NOT PERMITTED			SCALE	NONE	RELEASED DATE	7/3/01	REVISION DATE	2/16/07
					REV. NO.	B	SHEET	1 OF 1