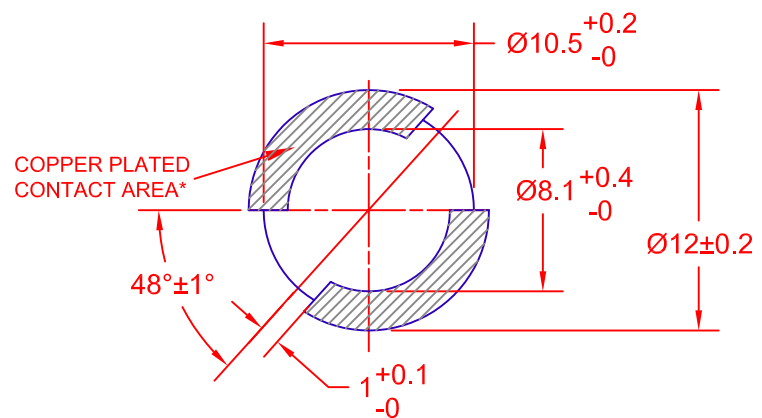
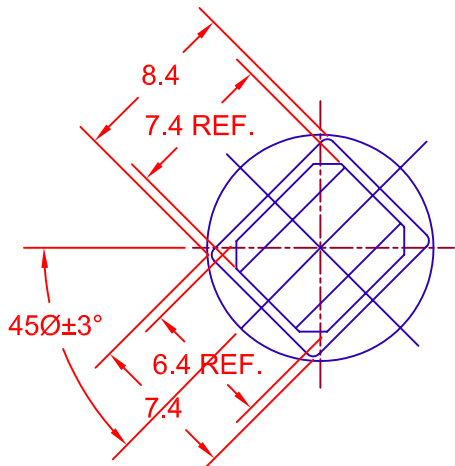
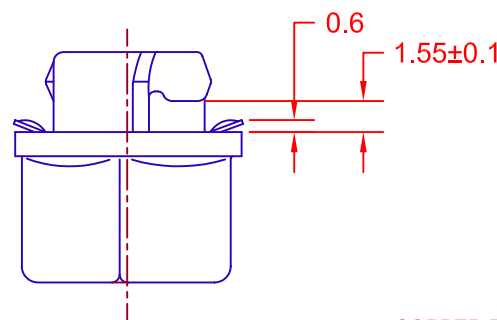
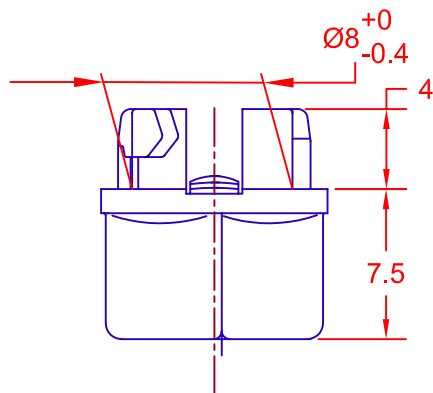
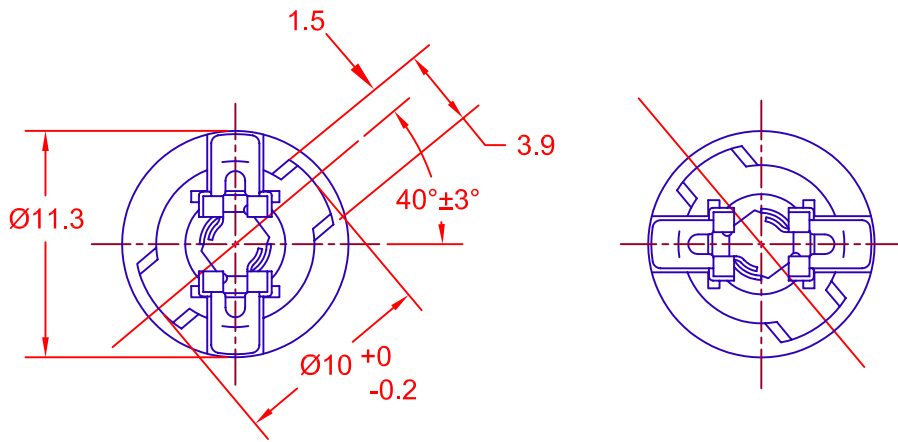


REV.	DESCRIPTION/ECO NO.	DATE
	RELEASED	10/30/01



**P.C. BOARD PUNCH PATTERN**  
 \* NO TREATMENT SUCH AS APPLICATION OF FLUX SHOULD BE DONE TO COPPER CONTACT PLATES ON PRINTED CIRCUIT BOARD.

JKL PART NO.: 2918B

SOCKET COLOR: BLACK

<p>THIRD ANGLE PROJECTION</p>	<p>METRIC</p> <p>DIMENSIONS ARE IN MILLIMETERS</p>	<p><b>JKL COMPONENTS CORPORATION</b></p>			
	<p>TOLERANCE UNLESS OTHERWISE SPECIFIED</p> <p>1 PL +/- 0.2</p> <p>2 PL +/- 0.20</p> <p>ANGLE +/- 0</p>	<p>TITLE</p> <p><b>T-1 1/2 WEDGE BASE SOCKET</b></p>			
<p>DRAWN BY</p> <p>L. WENGSTROM</p>	<p>APP'VD BY</p> <p>L.W.</p>	<p>DATE</p> <p>10/30/01</p>	<p>SIZE</p> <p><b>A</b></p>	<p>FSCM NO.</p> <p><b>55335</b></p>	<p>DRAWING NO.</p> <p><b>SOCKET 2918B</b></p>
<p>- CAD DRAWING -</p> <p>MANUAL REVISIONS NOT PERMITTED</p>			<p>SCALE</p> <p>NONE</p>	<p>RELEASED DATE</p> <p>10/30/01</p>	<p>REVISION DATE</p>
				<p>REV. NO.</p>	<p>SHEET</p> <p>1 OF 1</p>