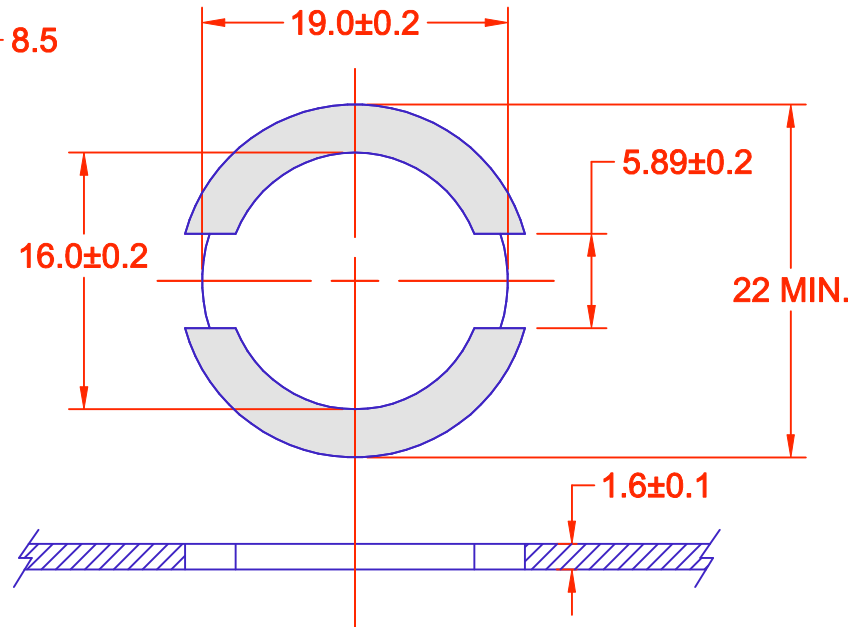
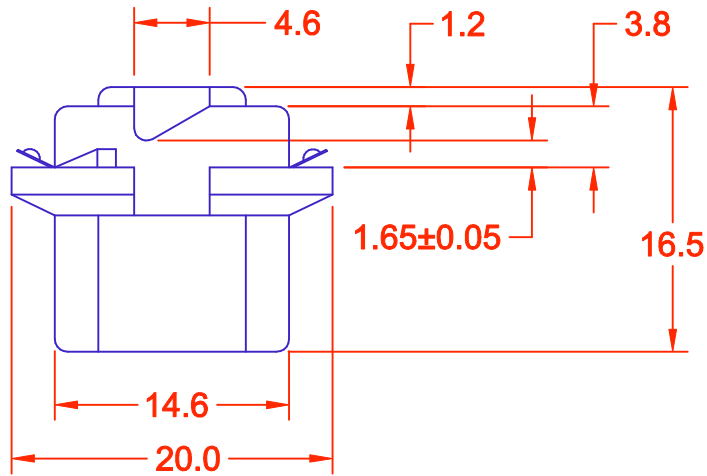
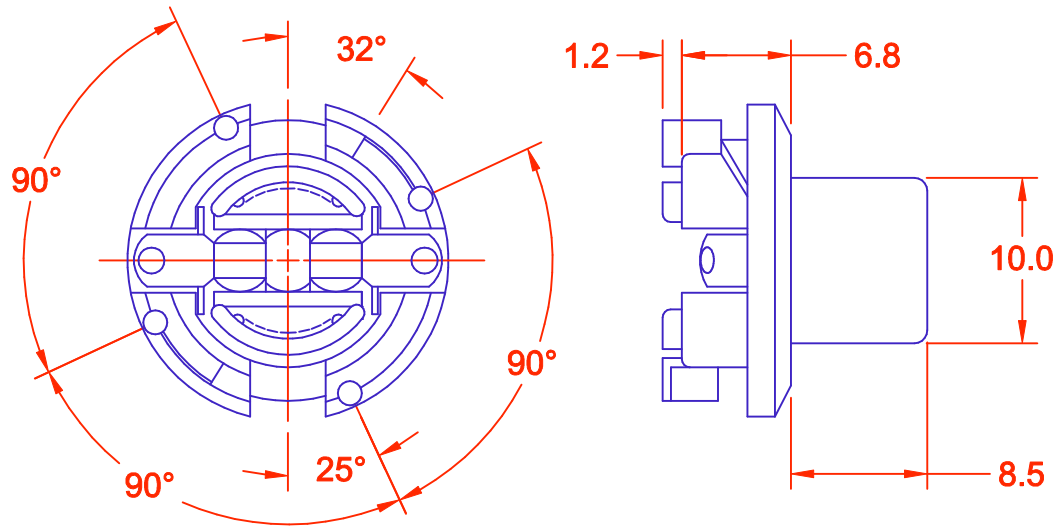


REV.	DESCRIPTION/ECO NO.	DATE
	RELEASED TO CAD	8/26/02
A	CHNG. COPPER PATTERN	4/3/03



P.C. BOARD PATTERN

JKL PART NO.: 2919/BLA  
 SOCKET COLOR: BLACK

 THIRD ANGLE PROJECTION	<b>METRIC</b> DIMENSIONS ARE IN MILLIMETERS	<b>JKL COMPONENTS CORPORATION</b> TITLE <b>T-3 1/4 WEDGE BASE SOCKET</b>			
	TOLERANCE UNLESS OTHERWISE SPECIFIED 1 PL +/- 0.2 2 PL +/- 0.20 ANGLE +/- 0				
DRAWN BY L. WENGSTROM	APPVD BY DATE J.K. 4/3/03	SIZE <b>A</b>	FSCM NO. <b>55335</b>	DRAWING NO.	<b>SOCKET 2919</b>
- CAD DRAWING - MANUAL REVISIONS NOT PERMITTED		SCALE <b>NONE</b>	RELEASED DATE 8/26/02	REVISION DATE 4/3/03	REV. NO. <b>A</b> SHEET <b>1 OF 1</b>