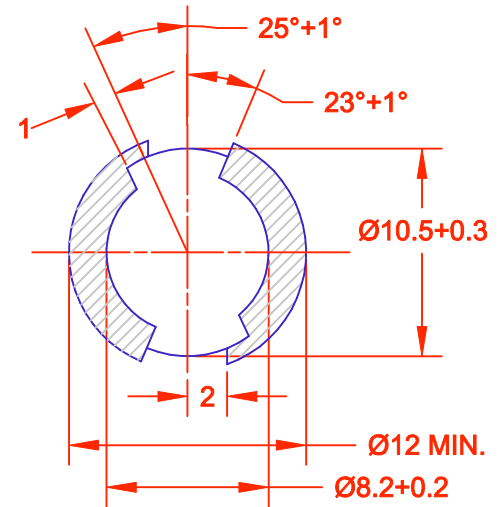
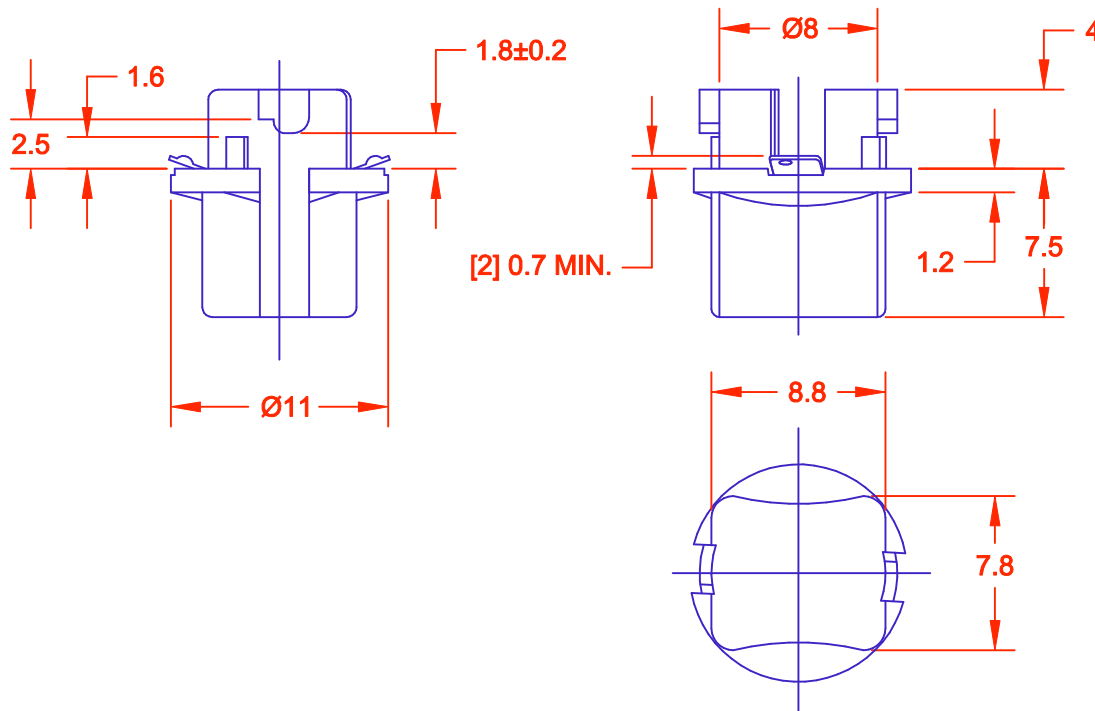
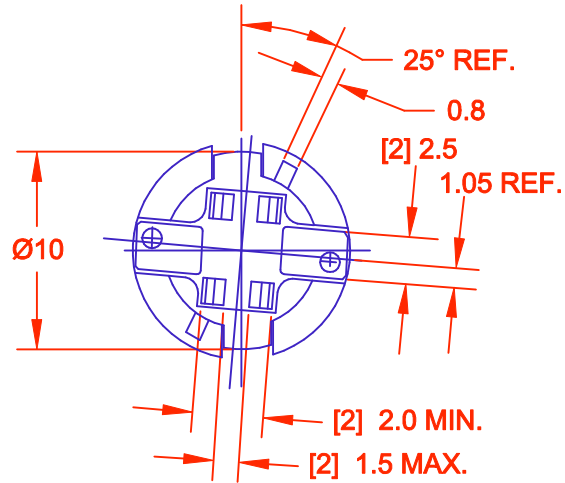


REV.	DESCRIPTION/ECO NO.	DATE
	RELEASED AS CAD DRAW. AND NEW PART-CANCEL 2929 REV. 1	12/8/00



BASE COLOR: BLACK

<p>THIRD ANGLE PROJECTION</p>	<p>METRIC</p> <p>DIMENSIONS ARE IN MILLIMETERS</p> <p>TOLERANCE UNLESS OTHERWISE SPECIFIED</p> <p>1 PL +/- 0.2</p> <p>2 PL +/- 0.20</p> <p>ANGLE +/- 0</p>	<p>JKL COMPONENTS CORPORATION</p>			
	<p>APPVD BY: JK</p> <p>DATE: 12/9/00</p>	<p>SIZE: A</p> <p>FSCM NO.: 55335</p>	<p>DRAWING NO.:</p>	<p>TITLE: T-1 3/4 WEDGE BASE SOCKET</p>	
<p>DRAWN BY: L. WENGSTROM</p>		<p>SCALE: NONE</p>	<p>RELEASED DATE: 12/9/00</p>	<p>REVISION DATE:</p>	<p>REV. NO.:</p>
<p>- CAD DRAWING - MANUAL REVISIONS NOT PERMITTED</p>		<p>SHEET 1 OF 1</p>	<p>SOCKET 2929</p>		