

## STRADA-DW-MX6 LENSES FOR CREE MX-6 LEDs



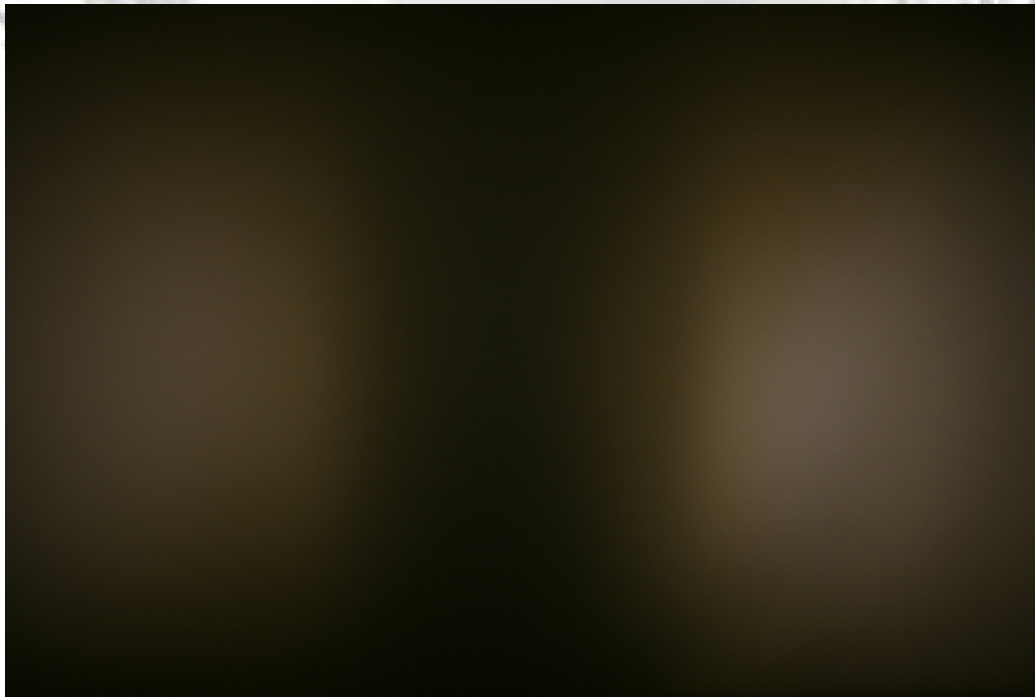
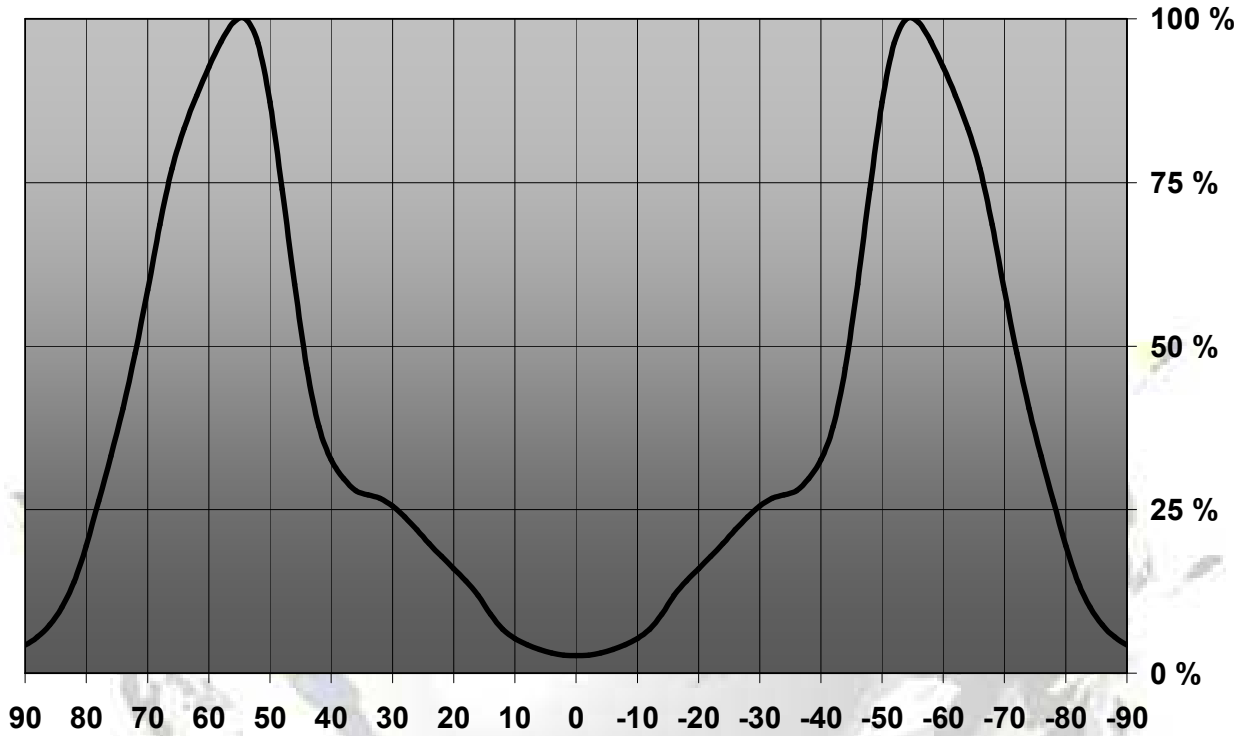
- Specially designed for Cree MX-6 series of LEDs.
- New extremely wide SIDE-EMITTING design with very and uniform light distribution.
- Comes with integrated positioning pins.
- Lens material optical grade PMMA with high UV and temperature resistance (105°C/220°F). Allows use of high current and temperature conditions.
- Best available optical efficiency, approximately 92%.
- Fastening to heat sink with or without PU foam adhesive tape of automotive grade, please select which suits the best for your needs.
- We advise customer to ensure the suitability and sufficiency of the bond in the end product. For example, mechanical stress, vibration and holes on the surface of the circuit board weaken the strength of the tape.
- Please check fastening details from this link:  
([http://www.ledil.com/datasheets/DataSheet\\_TAPE.pdf](http://www.ledil.com/datasheets/DataSheet_TAPE.pdf))

## LENS TYPES

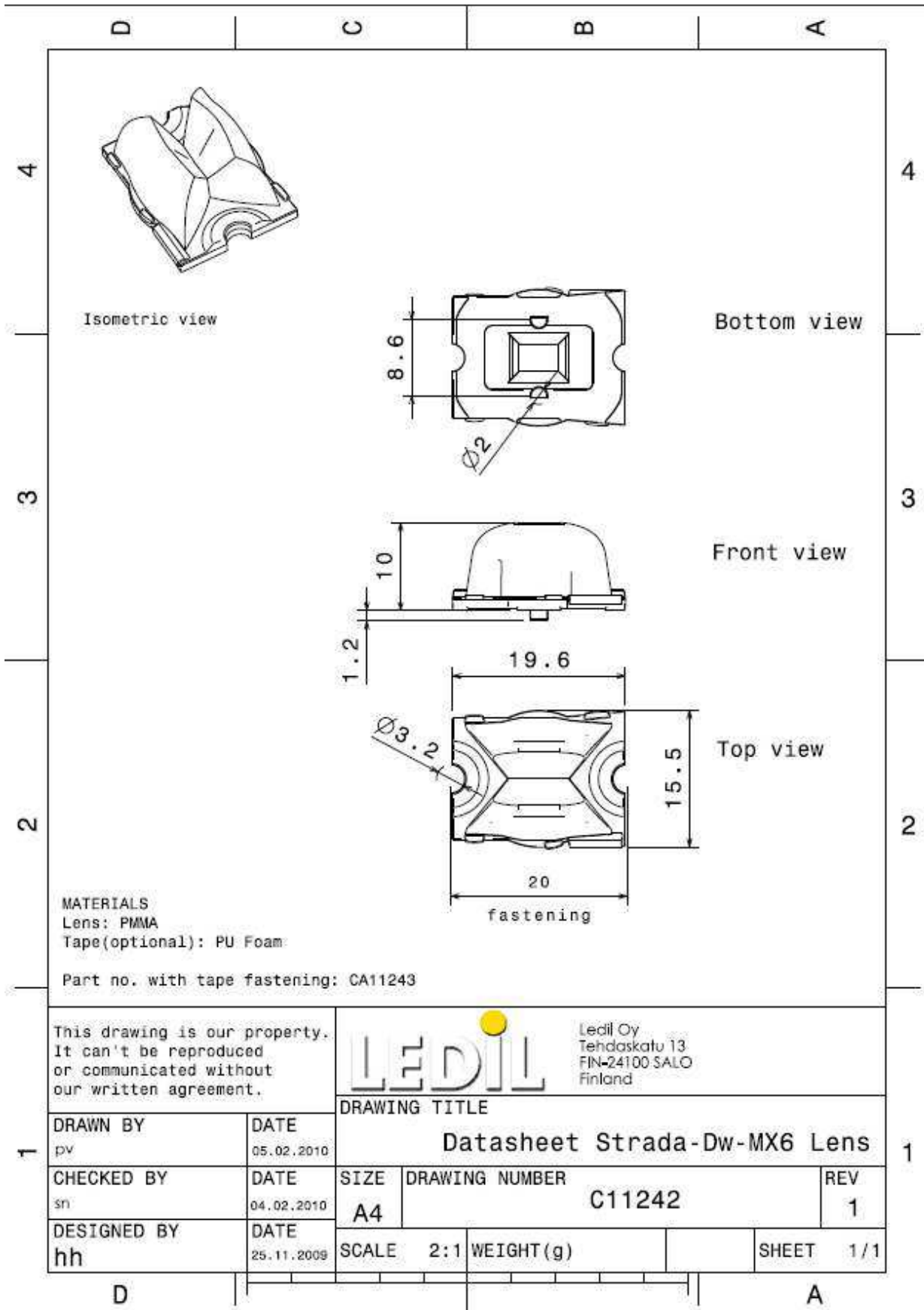
NAME	ORDERING CODE	FWHM Angle
Strada-DW-XP	C11242_Strada-DW-MX6	±45° x ±72°
Strada-DW-XP-TAPE	CA11243_Strada-DW-MX6-tape	±45° x ±72°

## MEASUREMENT DATA & DRAWING

Relative Intensity of C11242\_Strada-DW-MX6



© Ledil Oy – PRELIMINARY - Subject to change without prior notice



This drawing is our property. It can't be reproduced or communicated without our written agreement.



Ledil Oy  
 Tehdaskatu 13  
 FIN-24100 SALO  
 Finland

DRAWN BY pv		DATE 05.02.2010	DRAWING TITLE <b>Datasheet Strada-Dw-MX6 Lens</b>		
CHECKED BY sn		DATE 04.02.2010	SIZE <b>A4</b>	DRAWING NUMBER <b>C11242</b>	REV <b>1</b>
DESIGNED BY hh		DATE 25.11.2009	SCALE <b>2:1</b>	WEIGHT(g)	SHEET <b>1/1</b>