

D

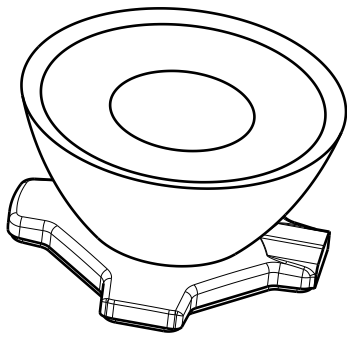
C

B

A

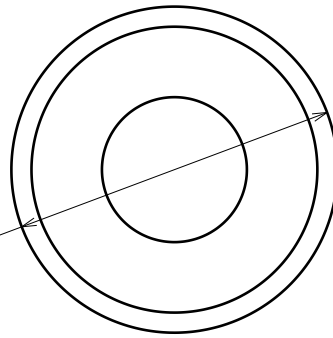
4

4



Isometric view

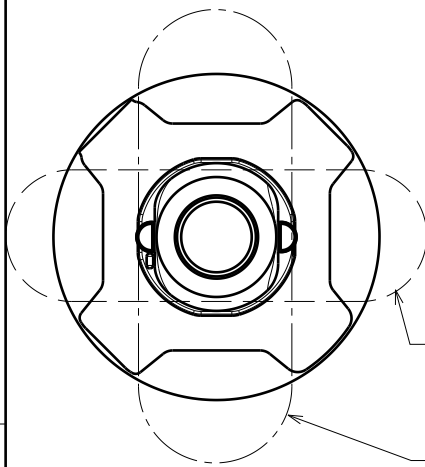
Ø 21.6



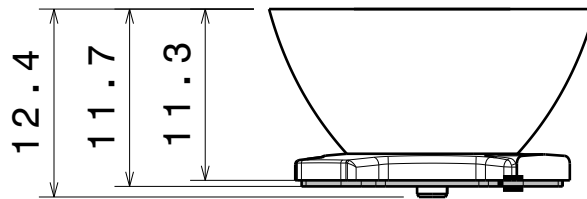
Top view

3

3



Bottom view  
OVAL BEAM direction



Front view

12.4

11.7

11.3

Heidi-0

Heidi-0-90

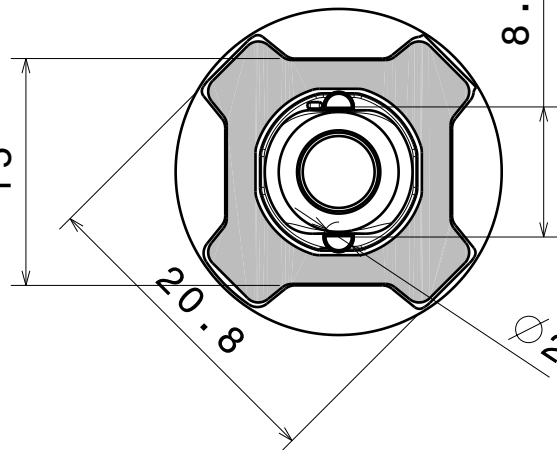
2

2

Material:  
Lens PMMA  
Tape PU Foam

Part no.s:  
CA11264\_Heidi-D  
CA11265\_Heidi-M  
CA11266\_Heidi-0  
CA11267\_Heidi-0-90

15



8.6 Between pin midpoints

Bottom view

Ø 12

20.8

This drawing is our property.  
It can't be reproduced  
or communicated without  
our written agreement.



L  
T  
F  
F

e  
e  
i  
i  
N  
n

d  
h

DRAWING TITLE

Datasheet Heidi-Series Assy

1

1

DRAWN BY o	DATE 12.01.2010
CHECKED BY o	DATE 12.01.2010
DESIGNED BY hh	DATE 12.01.2010

SIZE A4	DRAWING NUMBER	REV 1
SCALE 2:1	WEIGHT (g)	SHEET 1/1

D

A