

Iris lens for Osram Ostar Lighting LEDs



**APPLICATIONS: TORCH LIGHTS,
DOWNLIGHTS, SPOTLIGHTS**

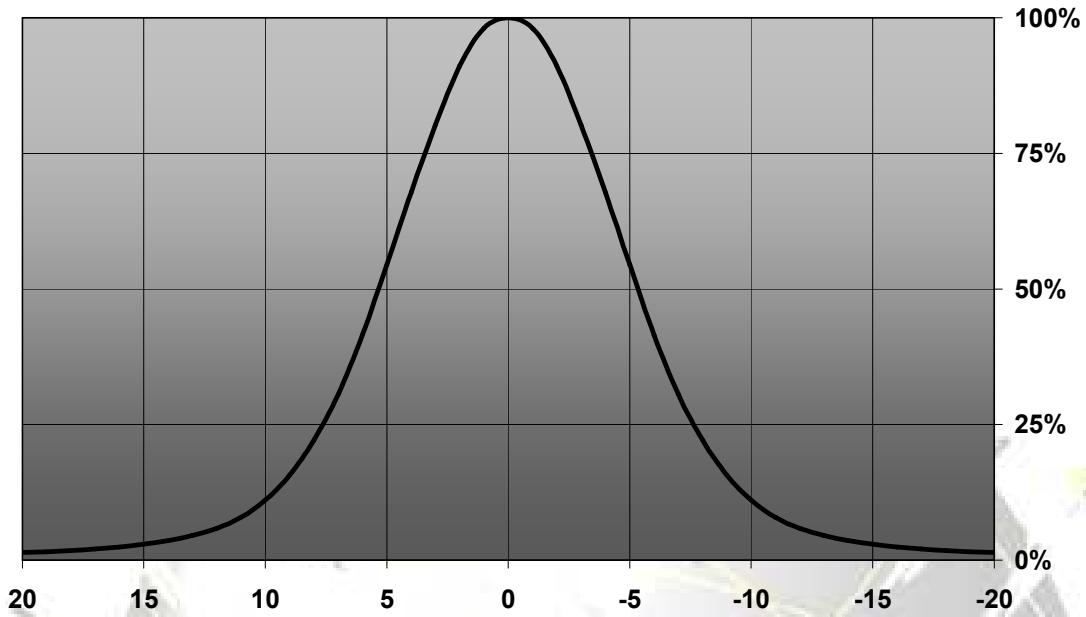


- Specially designed for the new Osram Ostar lighting with Star PCB
- Lens material optical grade PMMA with high UV and temperature resistance (105°C/220°F).
- Holder material PC. Allows use of high current and temperature conditions
- Highest practically available optical efficiency on the market
- Very even color distribution over the whole beam angle.
- Fastening to PCB and heat sink with screws or with appropriate adhesive, e.g. Loctite 460 or other epoxy or polyurethane. NOTE: DO NOT USE SUPERGLUE. If you decide to use glue only, please take special care of correct positioning.

LENS TYPES

NAME	ORDERING CODE	FWHM Angle
Iris lens	CA10861_Iris	±5.5°
Iris lens + Medium Sub lens	CA10953_Iris-M	±14.8°
Iris lens + Oval Sub lens	CA11470_Iris-O	±15° x ±20°

Relative Intensity of CA10861_Iris



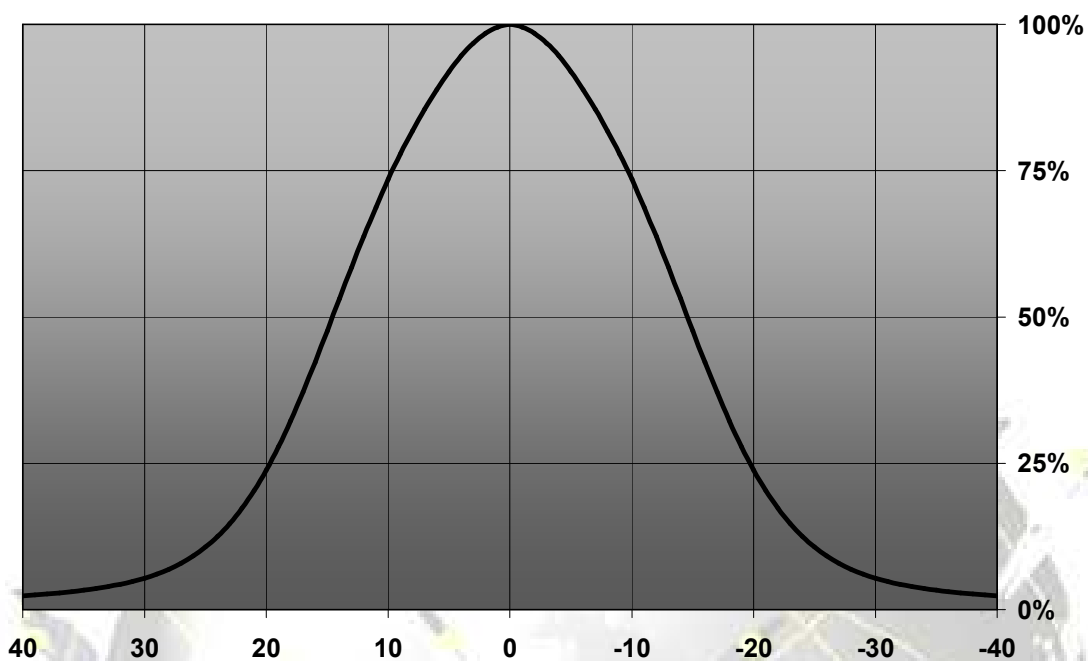
© Ledil Oy – PRELIMINARY - Subject to change without prior notice

Ledil Oy
Tehdaskatu 13
FIN-24100 SALO, Finland

www.ledil.com
email: ledil@ledil.com
FAX: +358-2-733 8001

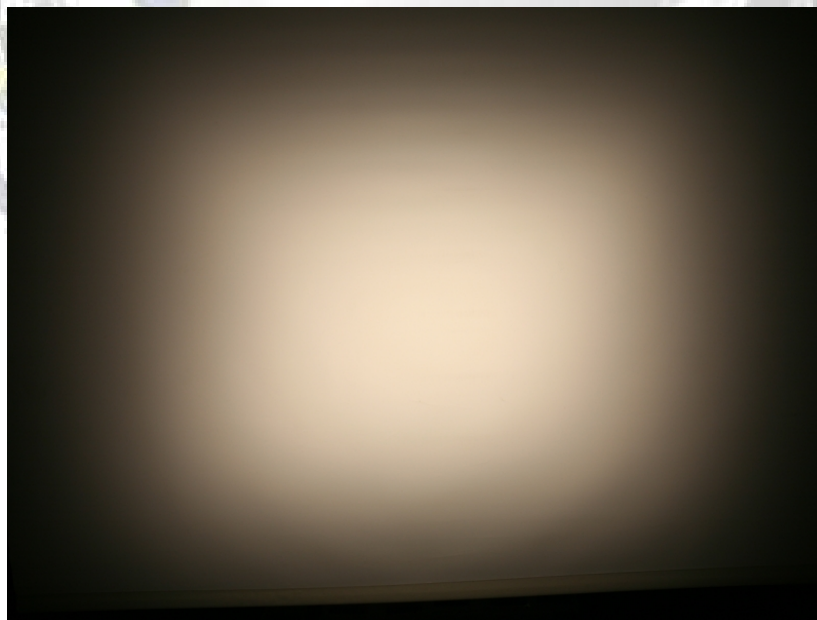
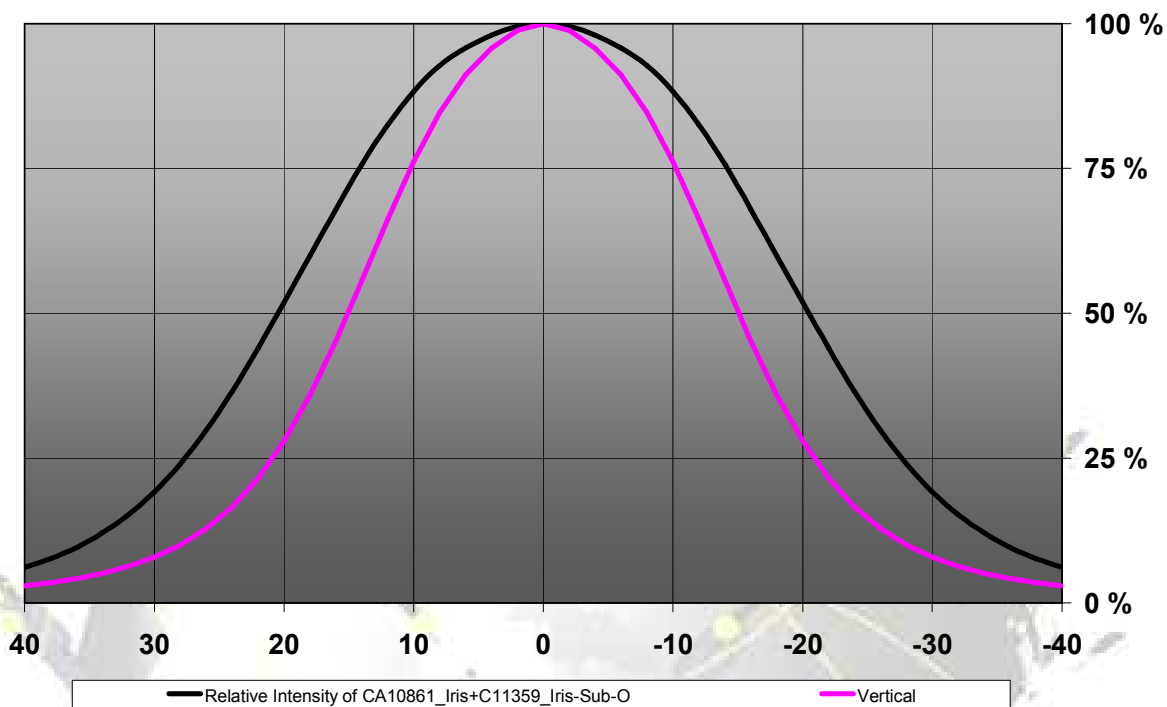
2010-04-09

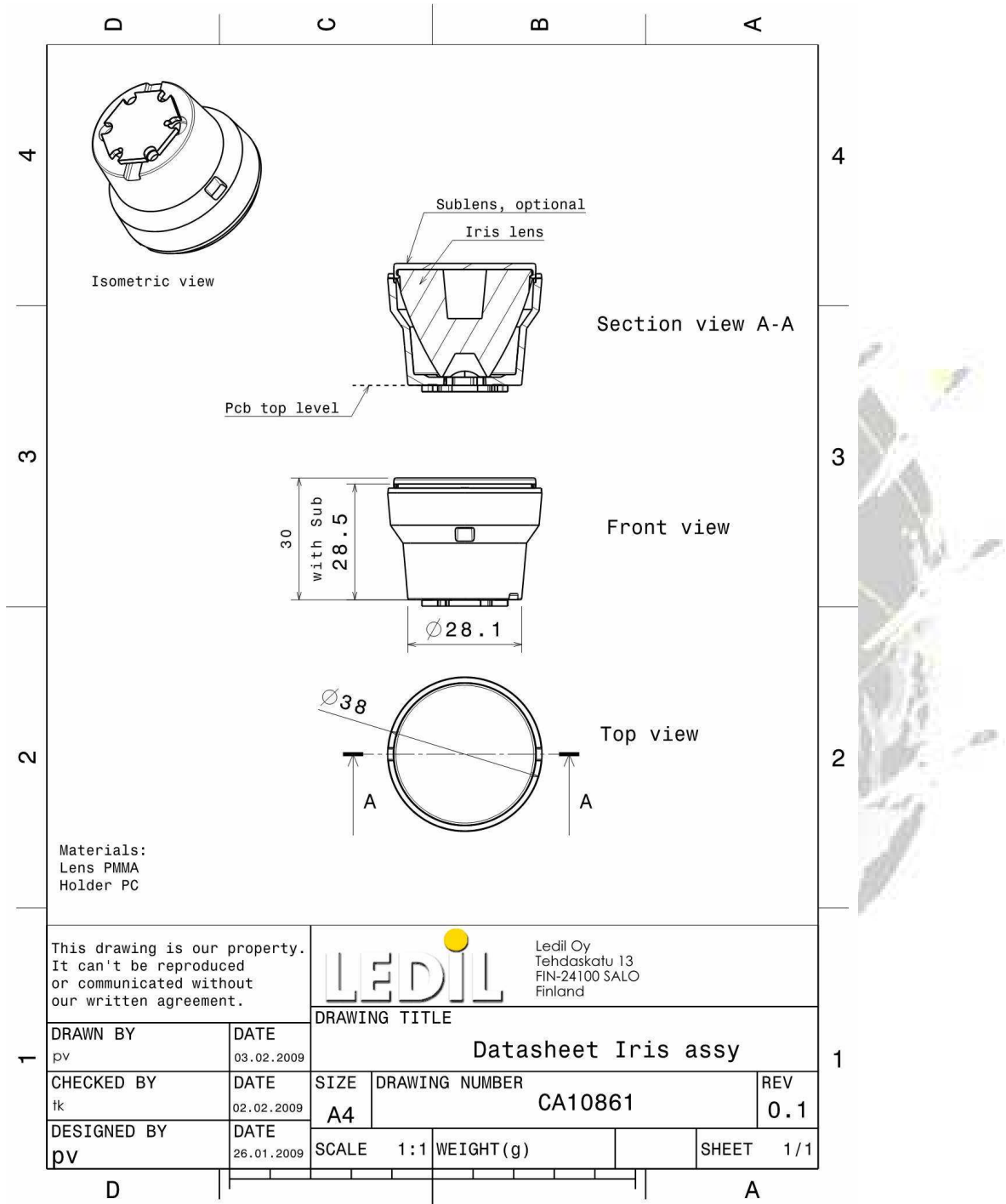
Relative Intensity of CA10908_Iris-M



© Ledil Oy – PRELIMINARY - Subject to change without prior notice

Relative Intensity of CA11470_Iris-O





NOTE: DELIVERED UNASSEMBLED

© Ledil Oy – PRELIMINARY - Subject to change without prior notice