

Iris lens for Cree MC-E LEDs



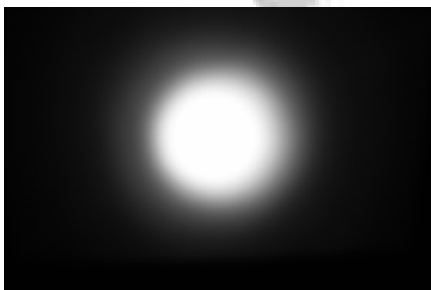
**APPLICATIONS: TORCH LIGHTS,
DOWNLIGHTS, SPOTLIGHTS**

Specially designed for Cree MC-E LED with Star PCB

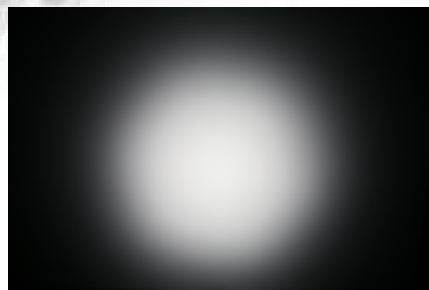
- Lens material optical grade PMMA with high UV and temperature resistance (105°C/220°F).
- Holder material PC. Allows use of high current and temperature conditions
- Very high optical efficiency
- Very even color distribution over the whole beam angle.
- Fastening to PCB and heat sink with screws or with appropriate adhesive, e.g. Loctite 460 or other epoxy or polyurethane. NOTE: DO NOT USE SUPERGLUE. If you decide to use glue only, please take special care of correct positioning.

LENS TYPES

NAME	ORDERING CODE	FWHM Angle
Iris	CA10861_Iris	±5.5°
Iris Medium	CA10953_Iris-M	±15°
Iris Oval	CA11470_Iris-O	±N/A°



CA10861_Iris

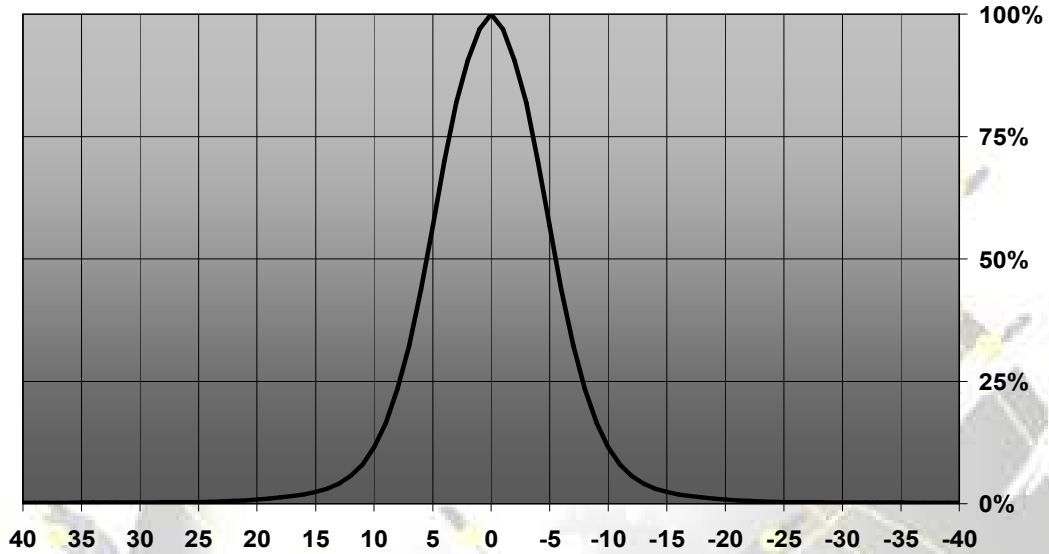


CA10953_Iris-M

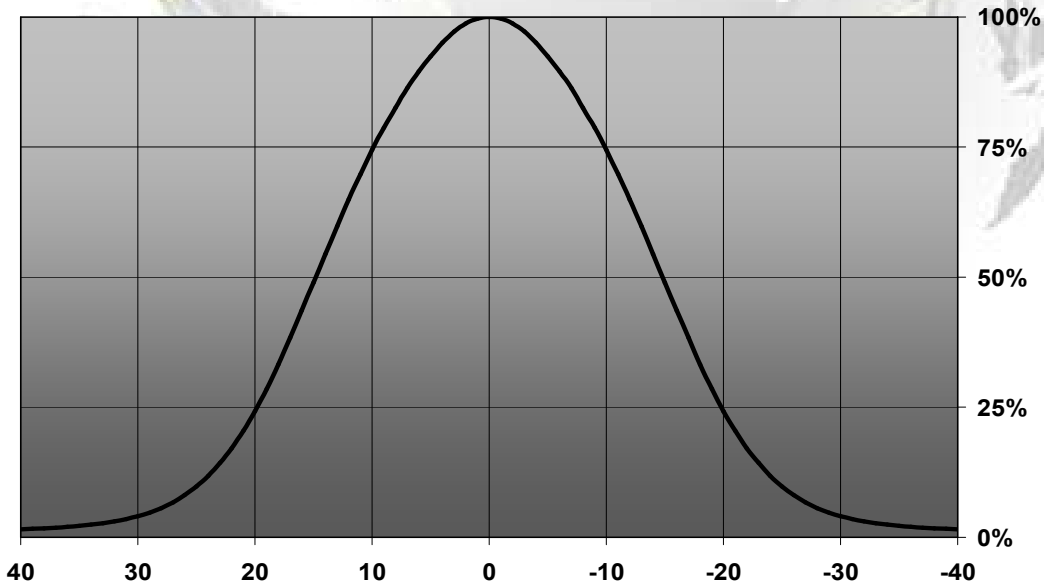
© Ledil Oy – PRELIMINARY - Subject to change without prior notice

MEASUREMENTS

Relative Intensity of CA10861_Iris (MC-E)

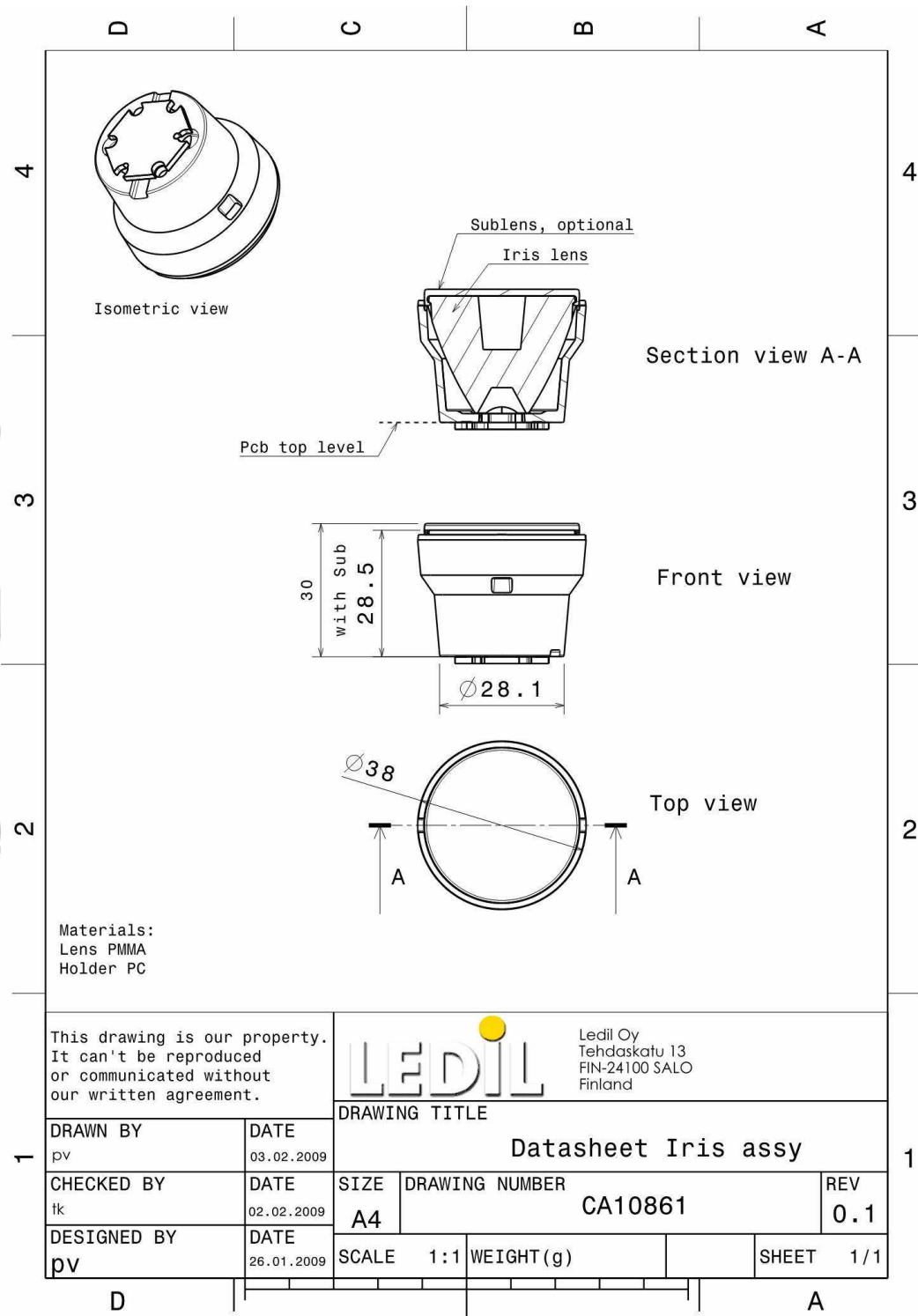


Relative Intensity of CA10908_Iris-M (MC-E)



© Ledil Oy – PRELIMINARY - Subject to change without prior notice

DRAWINGS



NOTE: DELIVERED UNASSEMBLED

© Ledil Oy – PRELIMINARY - Subject to change without prior notice