

Rocket-4 lenses for Cree XLamp® XR, XR-C & XR-E & MC-E LEDs



- Rocket-4-XR lens is designed for Cree XR-E. Rocket-4-XRMC lens can be used with Cree MC-E, too.
- Lens material optical grade PMMA with high UV and temperature resistance (105°C/220°F)
- High optical efficiency, >85%
- No lens holder. Fastening to heat sink with droplets of glue. NOTE: legs go into the PCB by 1.2 mm only, do not go thru a normal MCPCB
- Diameter 50 mm (MR16)
- Easy build of a complete luminaire using ROCKET-4, XLamp® and heat sink
- Mechanical CAD models available upon request
- All 3 lens types have the same outer dimensions.

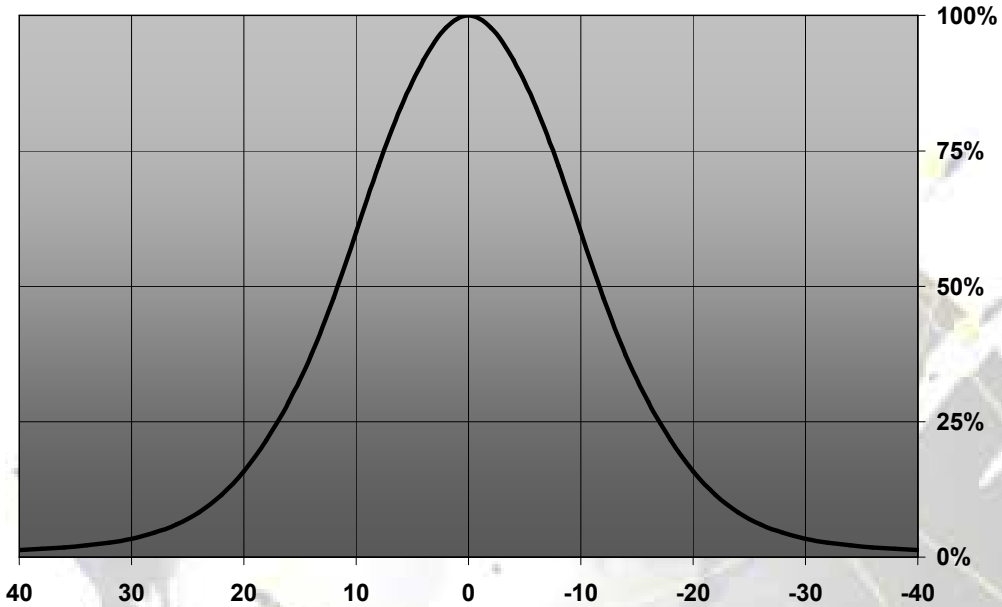
LENS TYPES

NAME	ORDERING CODE	FWHM Angle with XR-E	
Rocket-4 Medium	C10700_Rocket-4-XR-M	±12°	
NAME	ORDERING CODE	FWHM Angle, with XR-E	FWHM Angle, with MC-E
Rocket-4 Wide	C10702_Rocket-4-XRMC-W	±18°	±23°

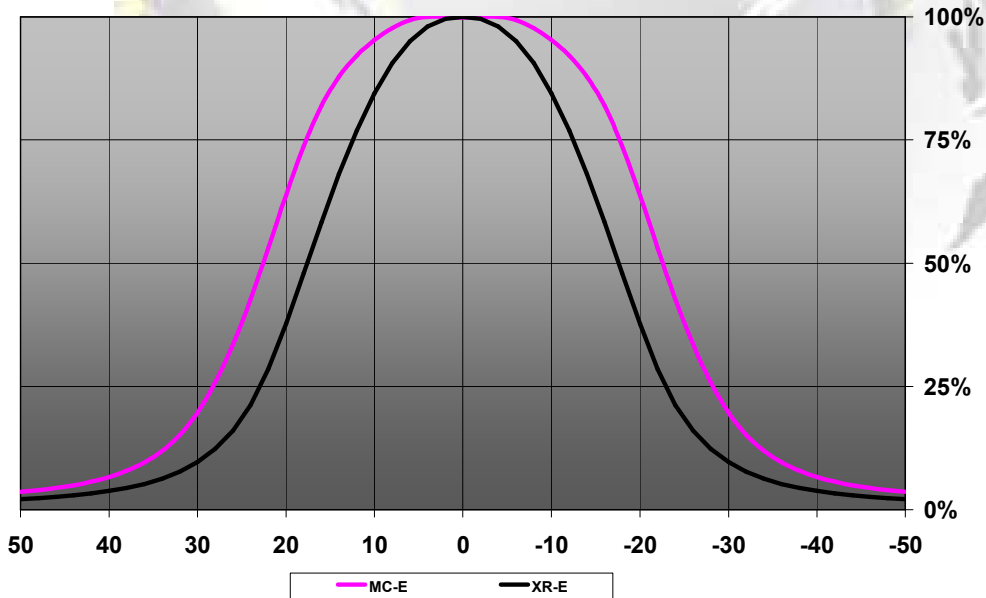
© Ledil Oy – PRELIMINARY - Subject to change without prior notice

MEASUREMENT DATA

Relative Intensity of C10700_Rocket-4-XR-M

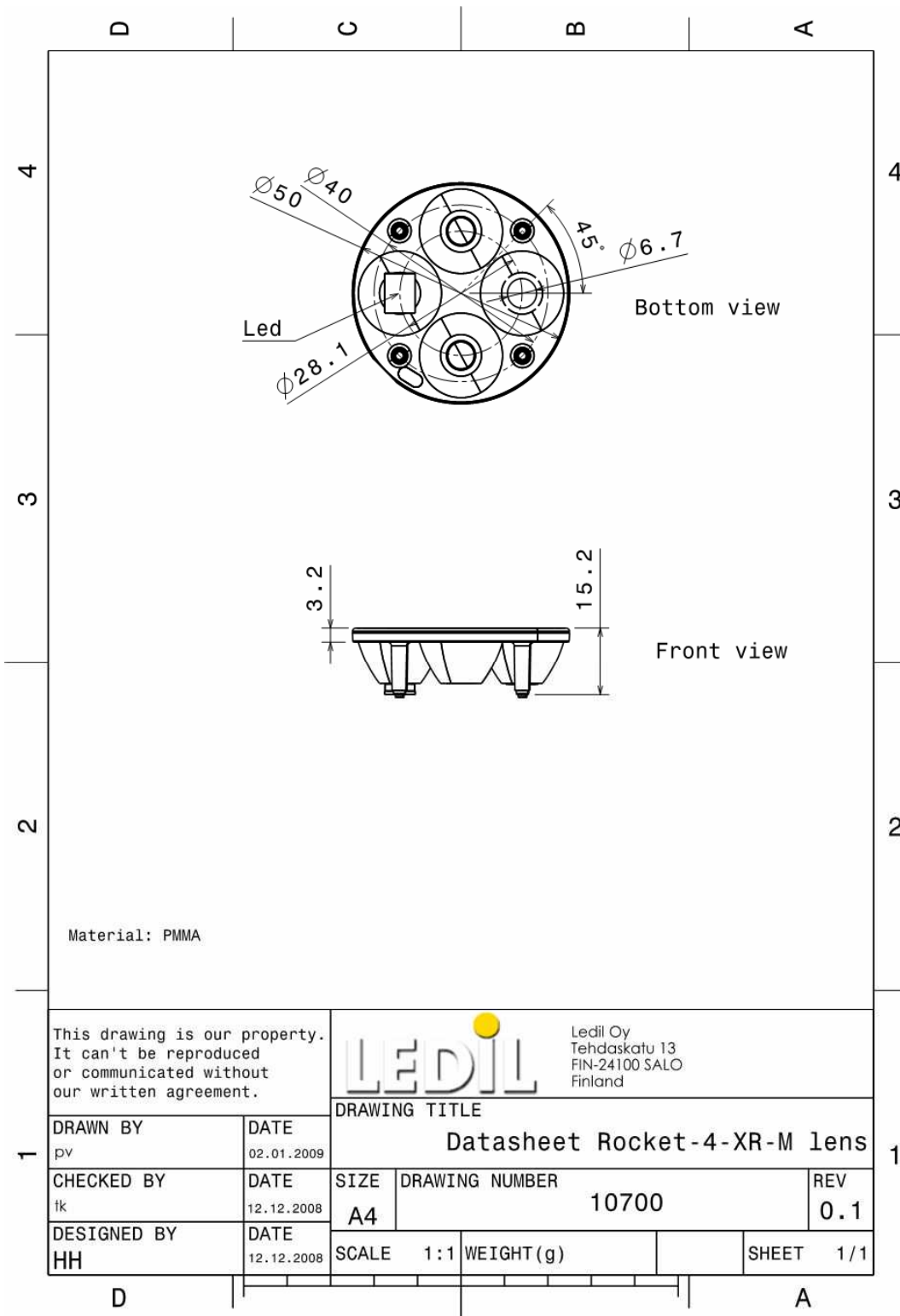


Relative Intensity of C10702_Rocket-4-XRMC-W

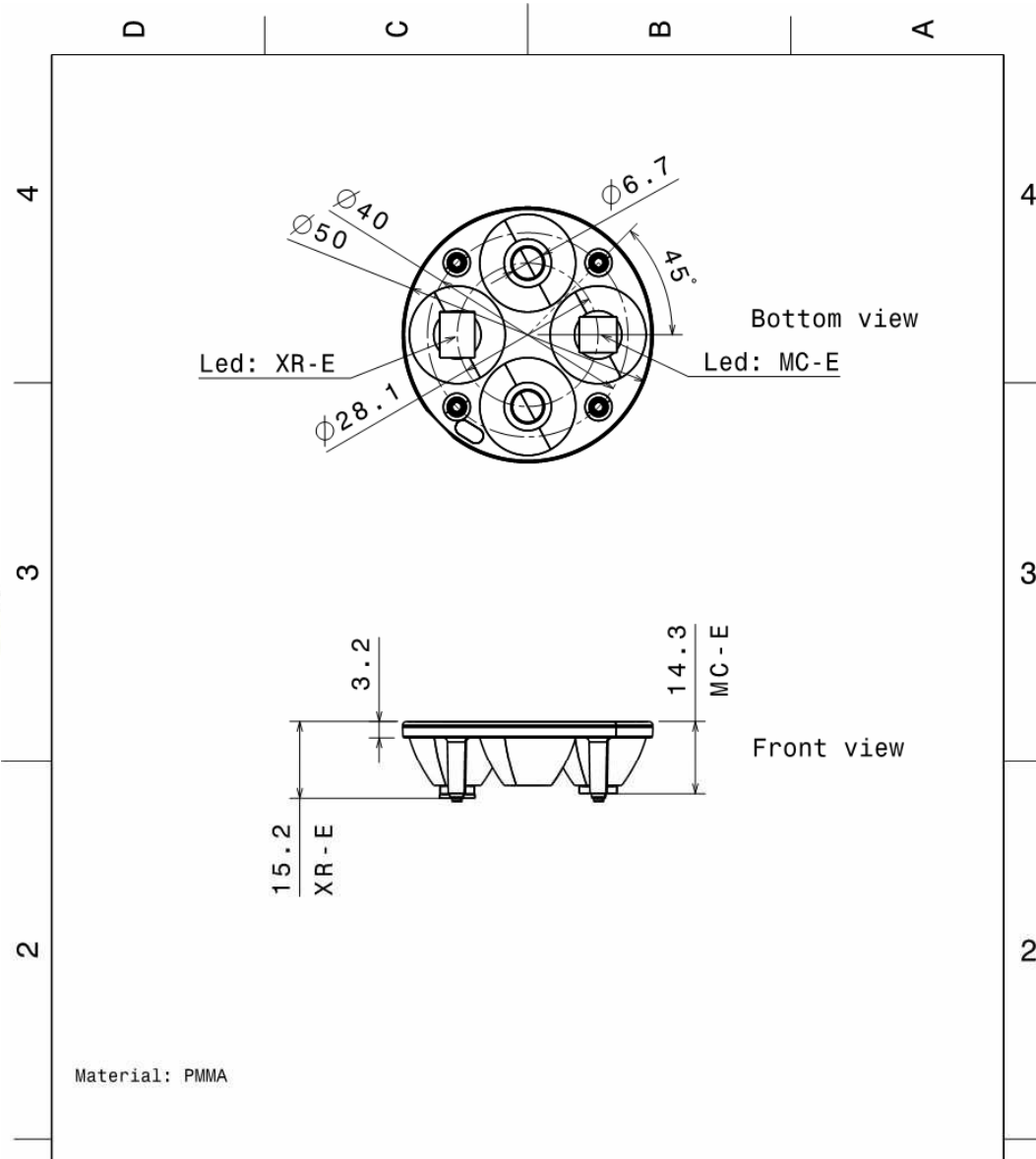


© Ledil Oy – PRELIMINARY - Subject to change without prior notice

DRAWINGS



© Ledil Oy - PRELIMINARY - Subject to change without prior notice



This drawing is our property. It can't be reproduced or communicated without our written agreement.				Ledil Oy Tehdaskatu 13 FIN-24100 SALO Finland	
DRAWING TITLE					
Datasheet Rocket-4-XRMC-W lens					
1	DRAWN BY	DATE	SIZE	DRAWING NUMBER	REV
	pv	02.01.2009	A4	10702	0.1
	CHECKED BY	DATE	SCALE	WEIGHT (g)	SHEET
	fk	12.12.2008	1:1		1/1
	DESIGNED BY	DATE			
	HH	12.12.2008			

© Ledil Oy – PRELIMINARY - Subject to change without prior notice