

STRADA-T-DW LENS FOR NICHIA 119 / 219 LEDs



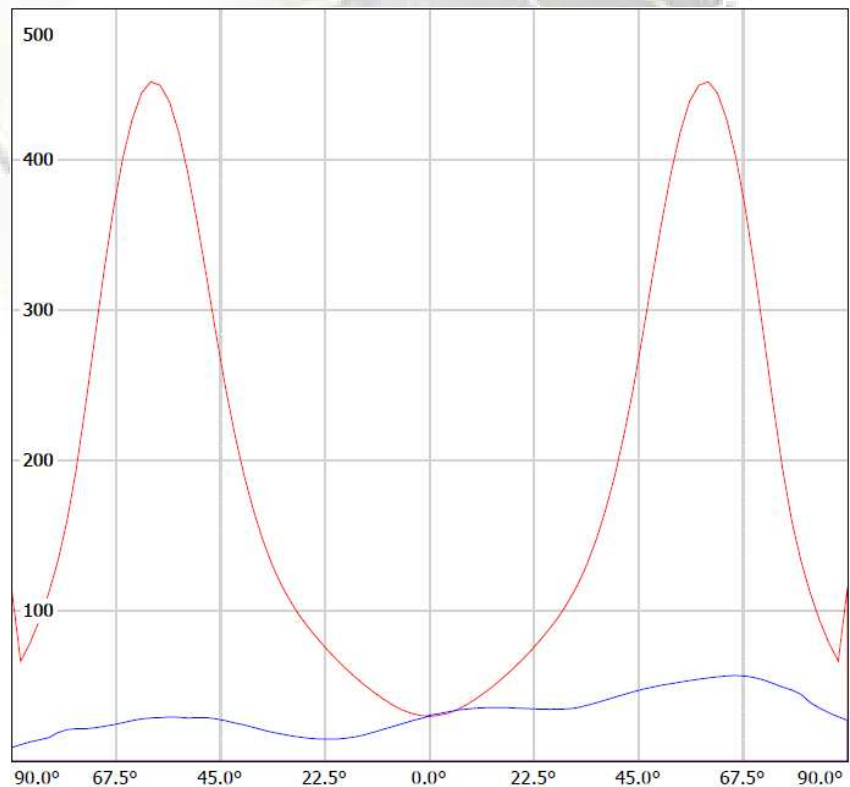
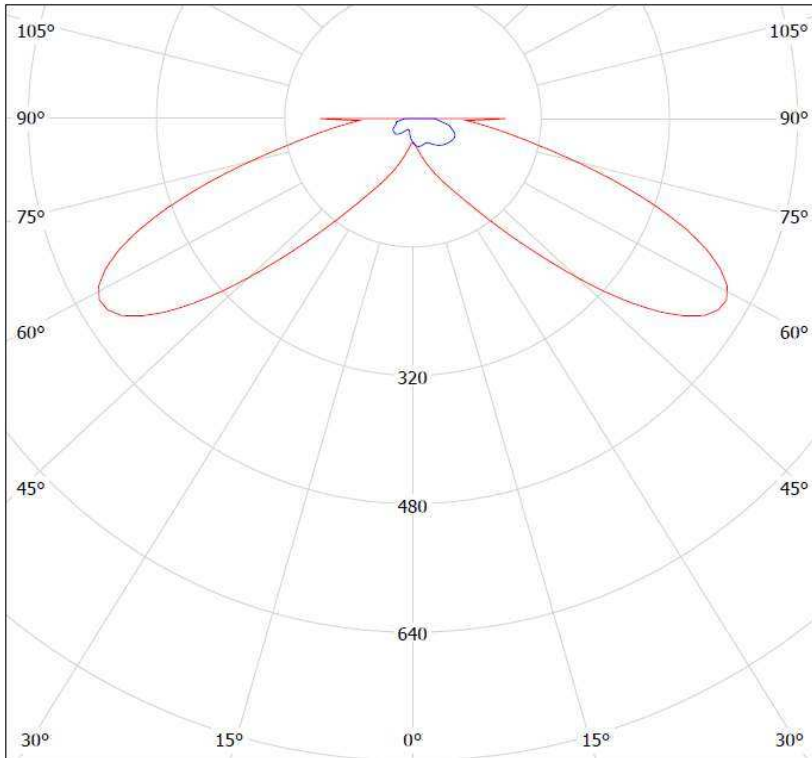
- New extremely wide SIDE-EMITTING design with very and uniform light distribution. Planned to be used mixed with Strada-T-DN lenses for optimal streetlight patterns.
- ASYMMETRICAL design with excellent usable efficiency and beam control.
- Efficiently and easily fulfilling different requirements for urban and road lighting when used together with Strada-T-DN.
- Comes with integrated positioning pins.
- Lens material optical grade PMMA. Allows use of high current and temperature conditions
- Best available optical efficiency, approximately 92%.
- Fastening to heat sink with or without PU foam adhesive tape of automotive grade, please select which suits the best for your needs.
- Please check fastening details from this link:
(http://www.ledil.com/datasheets/DataSheet_TAPE.pdf)
- Engineering kit available for download:
(http://www.ledil.fi/20100812_Nichia-119_Strada-T_Engineering_kit.zip)

LENS TYPES

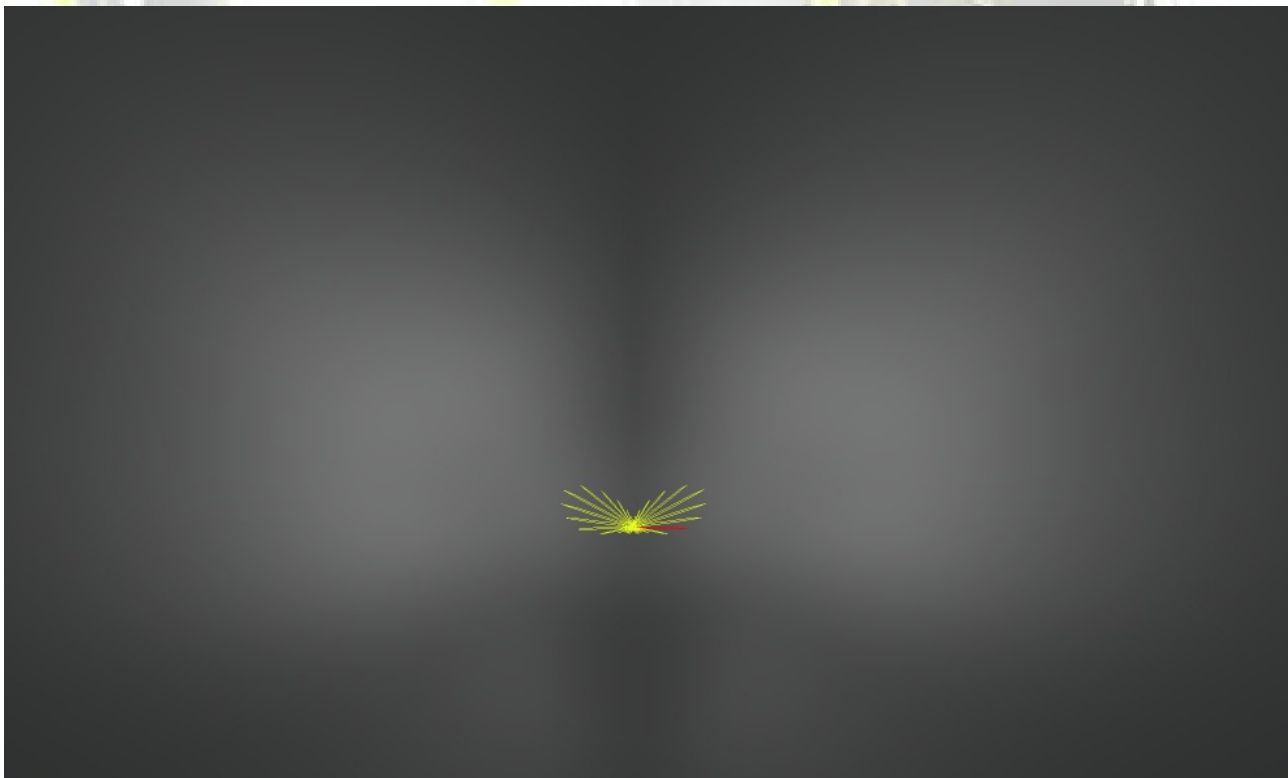
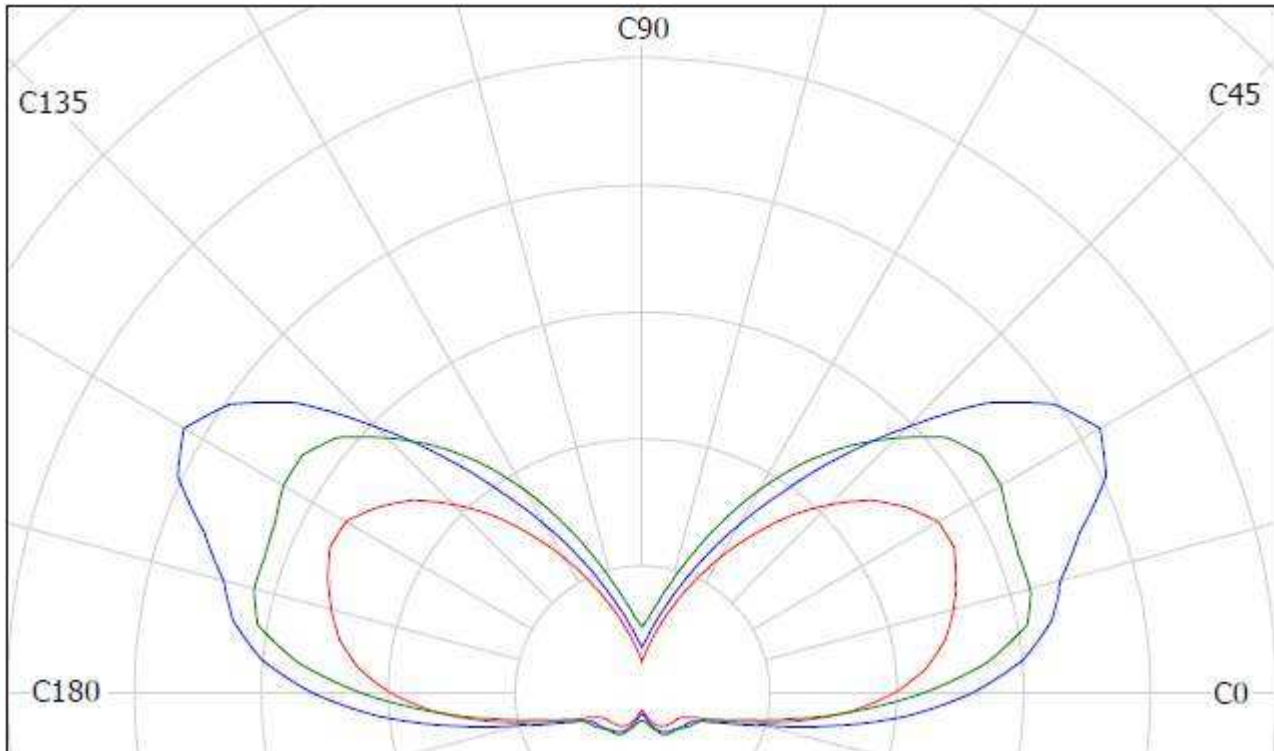
| NAME | ORDERING CODE | FWHM Angle |
|------------------|-------------------------------|--------------|
| Strada-T-DW- | C11425_Strada-T-DW-N19 | approx. ±72° |
| Strada-T-DW-TAPE | CA11426_Strada-T-DW-N19 -tape | approx. ±72° |

© Ledil Oy – PRELIMINARY - Subject to change without prior notice

MEASUREMENT DATA & DRAWING



© Ledil Oy – PRELIMINARY - Subject to change without prior notice

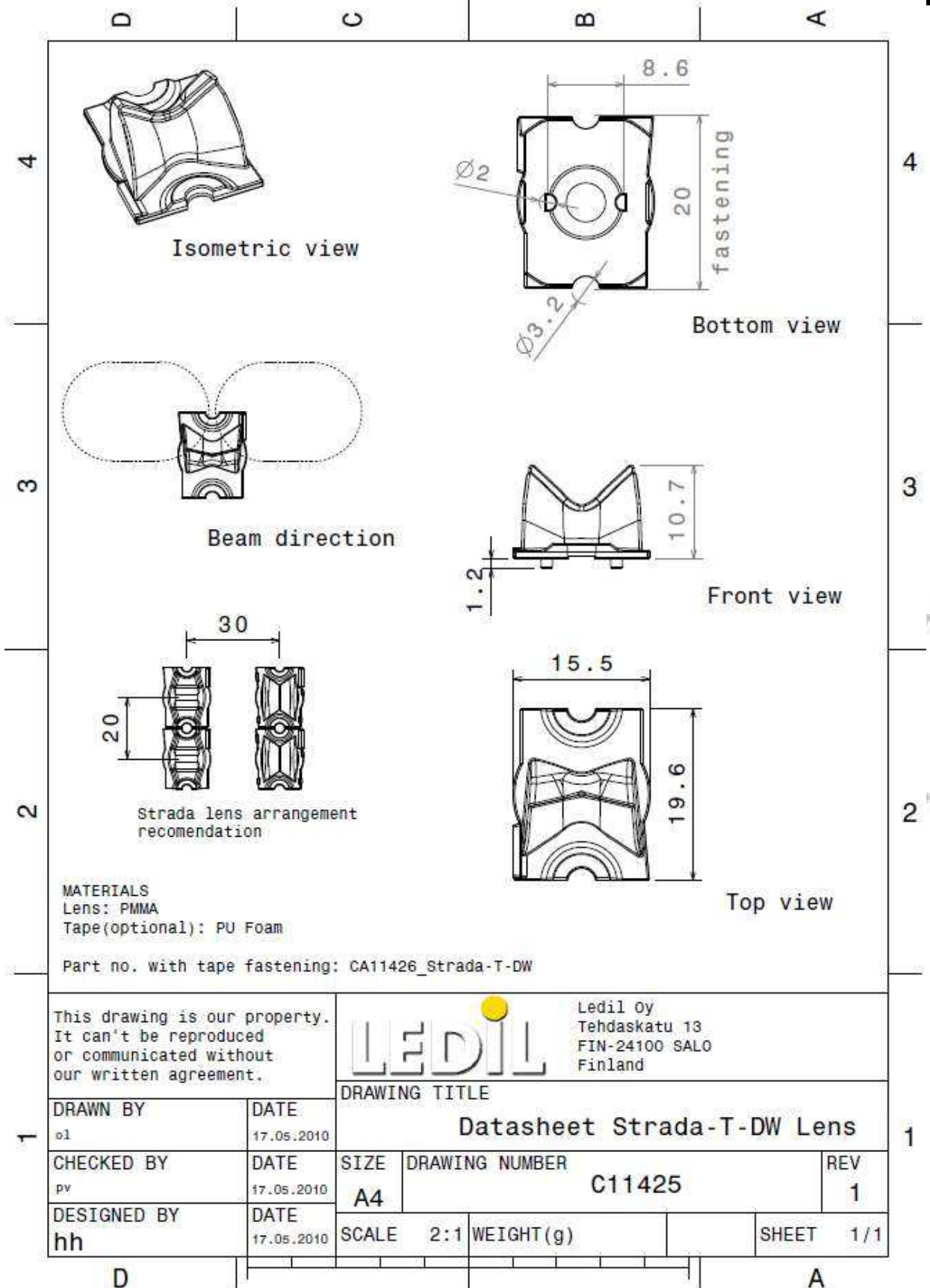


© Ledil Oy – PRELIMINARY - Subject to change without prior notice

Ledil Oy
Tehdaskatu 13
FIN-24100 SALO, Finland

www.ledil.com
email: ledil@ledil.com
FAX: +358-2-733 8001

2011-02-02



This drawing is our property. It can't be reproduced or communicated without our written agreement.



Ledil Oy
 Tehdaskatu 13
 FIN-24100 SALO
 Finland

DRAWING TITLE

Datasheet Strada-T-DW Lens

| | |
|-------------------|--------------------|
| DRAWN BY ol | DATE 17.05.2010 |
| CHECKED BY pv | DATE 17.05.2010 |
| DESIGNED BY hh | DATE 17.05.2010 |

| | | |
|--------------|--------------------------|--------------|
| SIZE A4 | DRAWING NUMBER C11425 | REV 1 |
| SCALE 2:1 | WEIGHT(g) | SHEET 1/1 |