

Tuija-3 lenses for Cree XP-E



- Designed for Cree XP-E series of LEDs.
- Lens material optical grade PMMA with high UV and temperature resistance (105°C/220°F)
- High optical efficiency, >85%
- No lens holder. Fastening to heat sink with droplets of glue. NOTE: legs go into the PCB by 1.2 mm only, do not go thru a normal MCPCB
- Diameter 50 mm (MR16)
- Mechanical CAD models available upon request
- All 3 lens types have the same outer dimensions.

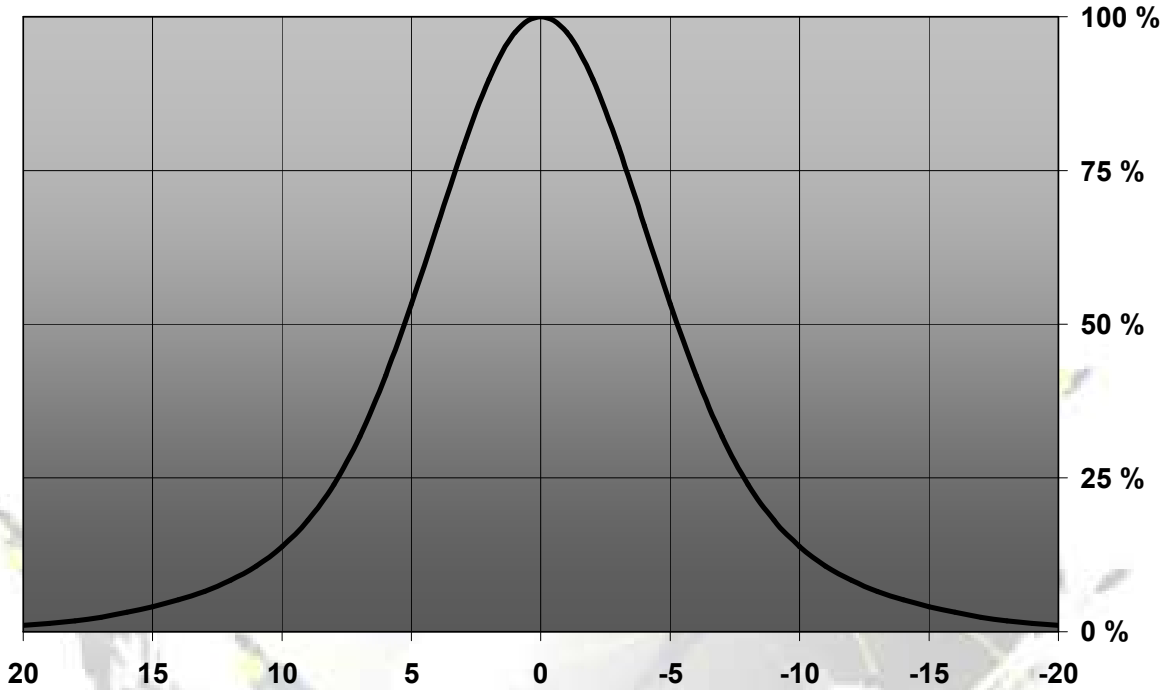
LENS TYPES

NAME	ORDERING CODE	FWHM Angle, with XP-E
Tuija-3 spot	C11192_Tuija-3-SS-XP	±5°
Tuija-3 medium	C11193_Tuija-3-M-XP	±9°
Tuija-3 wide	C11191_Tuija-3-W-XP	±27°

© Ledil Oy – PRELIMINARY - Subject to change without prior notice

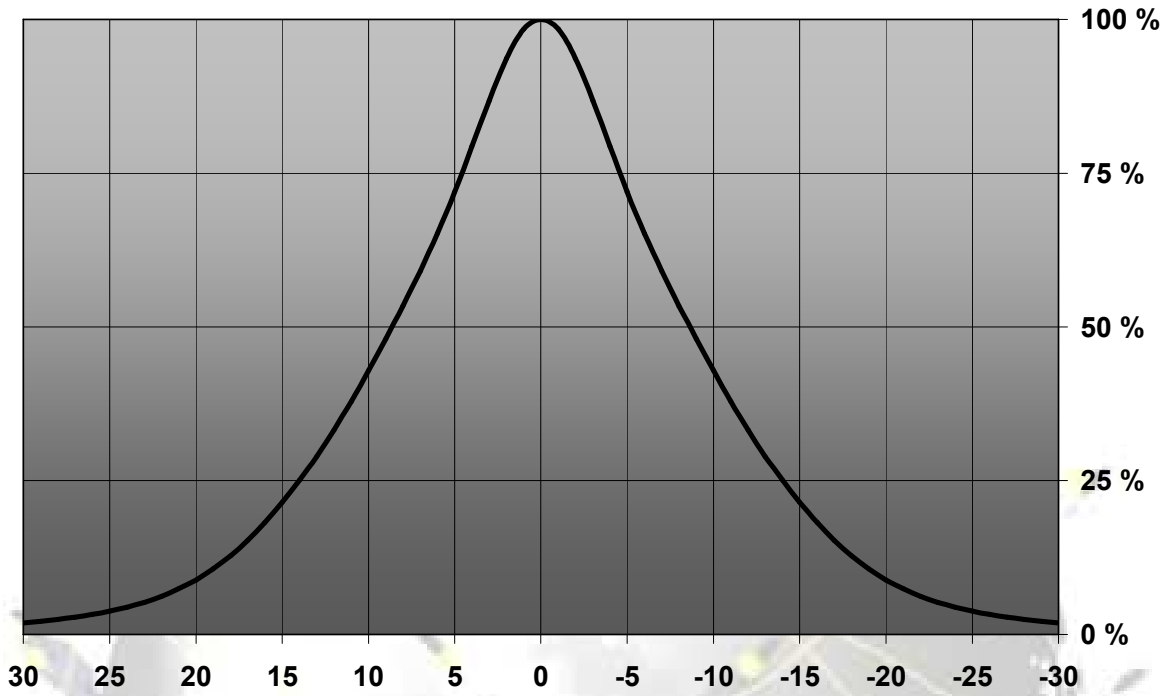
MEASUREMENT DATA

Relative Intensity of C11192_Tuija-3-SS-XP



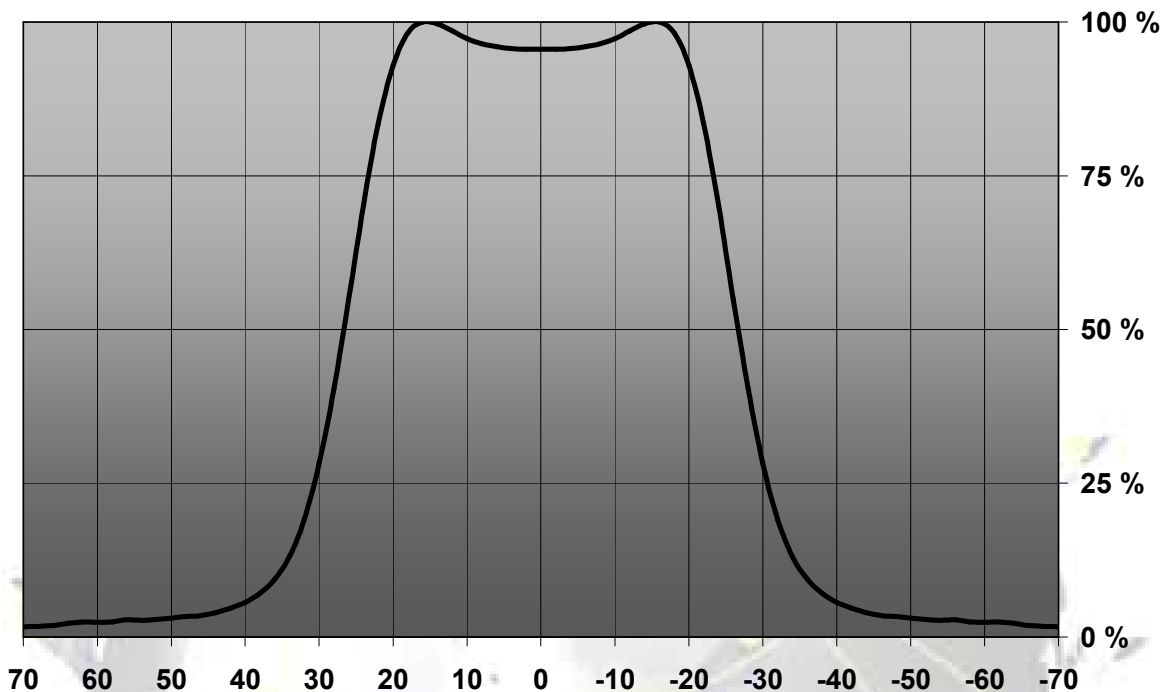
© Ledil Oy – PRELIMINARY - Subject to change without prior notice

Relative Intensity of C11193_Tuija-3-M-XP



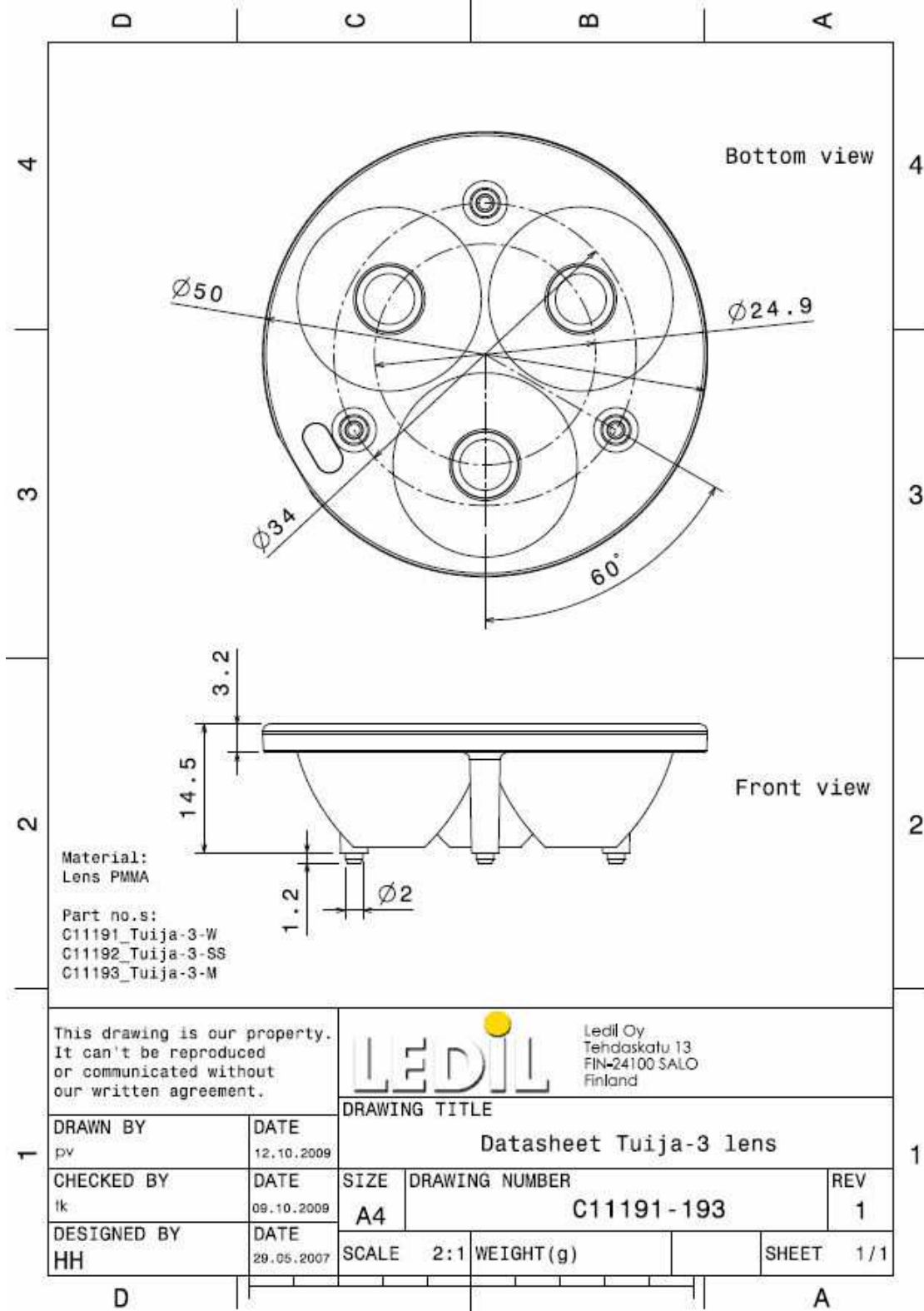
© Ledil Oy – PRELIMINARY - Subject to change without prior notice

Relative Intensity of C11191_Tuija-3-W-XP



© Ledil Oy – PRELIMINARY - Subject to change without prior notice

DRAWINGS



© Ledil Oy – PRELIMINARY - Subject to change without prior notice