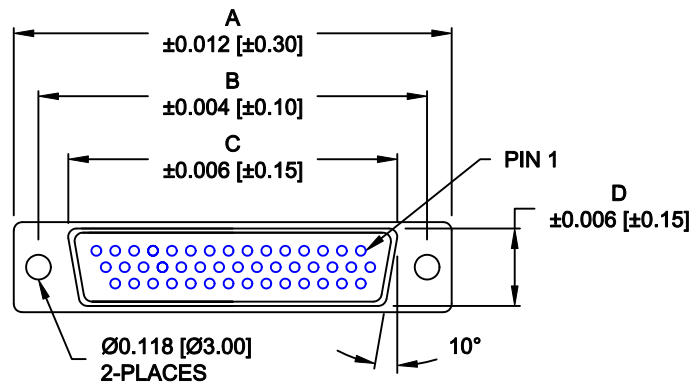
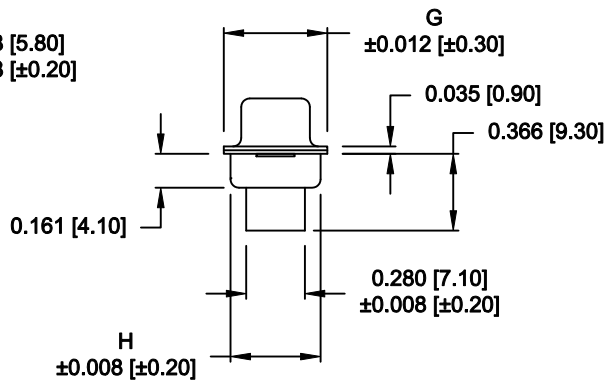
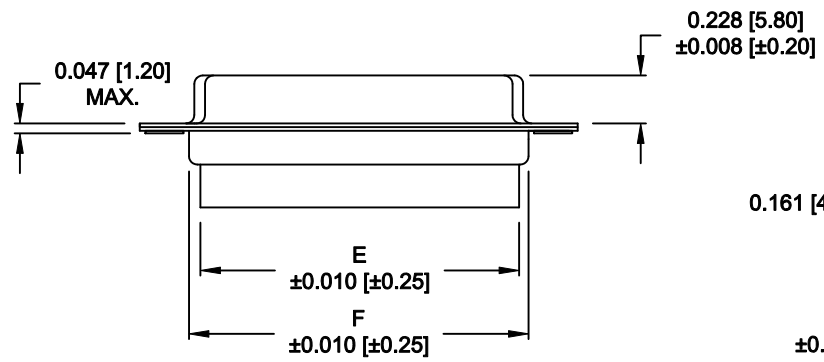


DESCRIPTION: HIGH DENSITY FEMALE - CRIMP AND LOAD



No. OF PINS	DIMENSIONS							
		B	C	D	E	F	G	H
15	1.213	0.984	0.643	0.311	0.606	0.756	0.496	0.429
	30.80	24.99	16.34	7.90	15.40	19.20	12.60	10.90
26	1.541	1.312	0.966	0.311	0.954	1.091	0.496	0.429
	39.15	33.32	24.53	7.90	24.22	27.70	12.60	10.90
44	2.087	1.852	1.512	0.311	1.499	1.618	0.496	0.429
	53.00	47.04	38.40	7.90	38.08	41.10	12.60	10.90
62	2.728	2.500	2.156	0.311	2.147	2.256	0.496	0.429
	69.30	63.50	54.76	7.90	54.54	57.30	12.60	10.90
78	2.638	2.406	2.057	0.429	2.043	2.169	0.606	0.526
	67.00	61.10	52.26	10.90	51.90	55.10	15.40	13.35

4 ROWS



180-YYY-27YLYY0

SERIES _____
 POSITIONS _____
 015 _____
 026 _____
 044 _____
 062 _____
 078 _____
 GENDER _____
 2 = FEMALE
 TERMINATION _____
 7 = CRIMP & LOAD
 SHELL PLATING _____
 2 = TIN
 3 = NICKEL
 RoHS COMPLIANT (230°C) _____
 HARDWARE OPTIONS _____
 00 = NO HARDWARE
 01 = .098" CLINCH NUT (BOARD SIDE)
 02 = .236" CLINCH NUT (BOARD SIDE)
 03 = .236" CLINCH NUT (MATING SIDE)
 PLATING OPTIONS _____
 0 = NO CONTACTS

MATERIAL:

SHELL: STEEL, TIN OR NICKEL PLATED
 INSULATOR: PBT, UL 94V-O RATED,
 +30% FIBER-GLASS OR NYLON-66
 CONTACT: BRASS, GOLD PLATED OVER NICKEL

ELECTRICAL:

CURRENT RATING: 5 AMPS
 CONTACT RESISTANCE: 15 mOhms Max.
 INSULATION RESISTANCE: 1,000 MOhms min.
 VOLTAGE: 500VAC FOR 1 MINUTE
 TEMPERATURE: -50° C TO 100° C

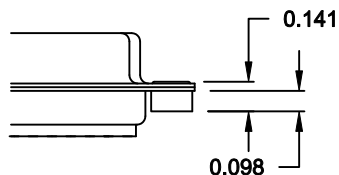
RoHS COMPLIANT

DO NOT SCALE FROM DRAWING

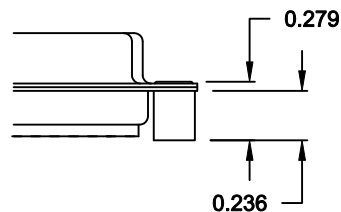
	THESE DRAWINGS AND SPECIFICATIONS ARE THE PROPERTY OF NorComp AND SHALL NOT BE REPRODUCED, COPIED OR USED AS THE BASIS FOR THE MANUFACTURE OF SALE OF APPARATUS WITHOUT WRITTEN PERMISSION.		DRAWN: PAM JENKINS	DATE: 7-19-05
			CHECKED:	DATE:
NorComp		SCALE:	SHEET 1 OF 2	REV 14
		DWG NO. 180-YYY-27YLYY0		

ALL CLINCH-NUTS ARE 4-40 INTERNAL THREADS

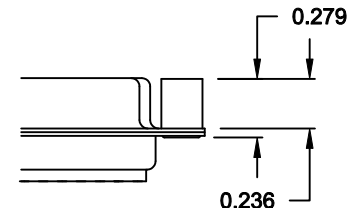
01X 0.065" (BOARD SIDE) - CN1



02X 0.236" (BOARD SIDE) - CN2



03X..... 0.236" (MATING SIDE) - CN8



DO NOT SCALE FROM DRAWING



THESE DRAWINGS AND SPECIFICATIONS ARE THE PROPERTY OF NorComp AND SHALL NOT BE REPRODUCED, COPIED OR USED AS THE BASIS FOR THE MANUFACTURE OF SALE OF APPARATUS WITHOUT WRITTEN PERMISSION.

DRAWN:
WAYNE ROBBINS

DATE:
11-28-05

CHECKED:

DATE:

NorComp

SCALE:	SHEET	OF	REV
	2	2	14

DWG NO. **180-YYY-27YLYY0**

RoHS COMPLIANT