

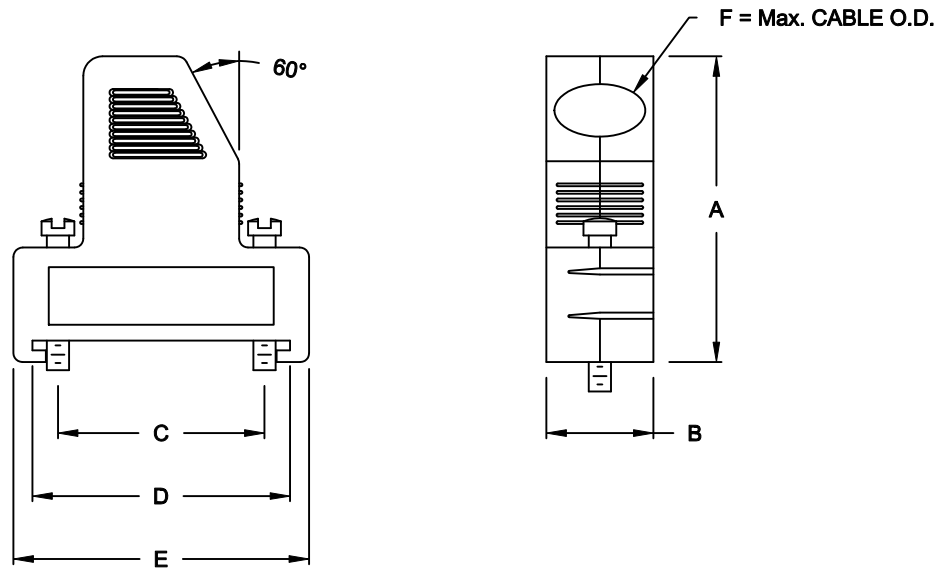
DESCRIPTION: 60° ENTRY - BLACK PLASTIC

SPECIFICATIONS:

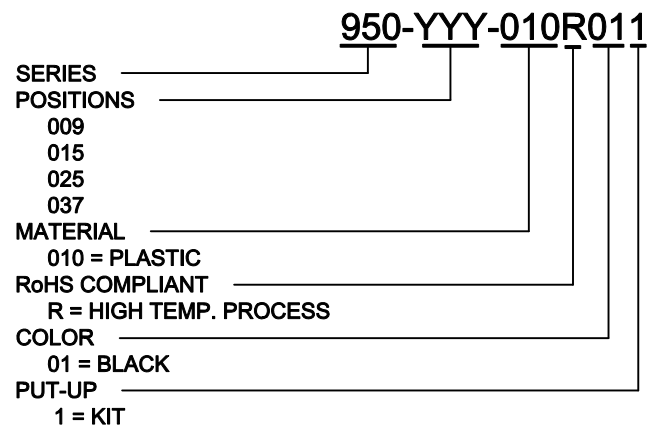
MATERIAL: POLYAMID UL-RECOGNIZED
UL 94-HB

BACKSHELL KIT INCLUDES:

- (2) BACKSHELL HALVES
- (1) STRAIN RELIEF CLAMP
- (2) STRAIN RELIEF SCREWS
- (2) JACKSCREWS



DIMENSIONS (IN.)						
No. OF PINS	A	B	C	D	E	F
09	1.457	0.496	0.984	1.228	1.409	0.315
15	1.496	0.496	1.311	1.555	1.736	0.315
25	1.614	0.496	1.854	2.098	2.280	0.354
37	1.614	0.496	2.500	2.744	2.925	0.354



DO NOT SCALE FROM DRAWING

	THESE DRAWINGS AND SPECIFICATIONS ARE THE PROPERTY OF NorComp AND SHALL NOT BE REPRODUCED, COPIED OR USED AS THE BASIS FOR THE MANUFACTURE OF SALE OF APPARATUS WITHOUT WRITTEN PERMISSION.		DRAWN: C. SMITH	DATE: 03-26-07
			CHECKED:	DATE:
<h1>NorComp</h1>		SCALE: 1 : 1	SHEET 1 OF 1	REV 2
		DWG NO. 950-YYY-010R011		

RoHS COMPLIANT