

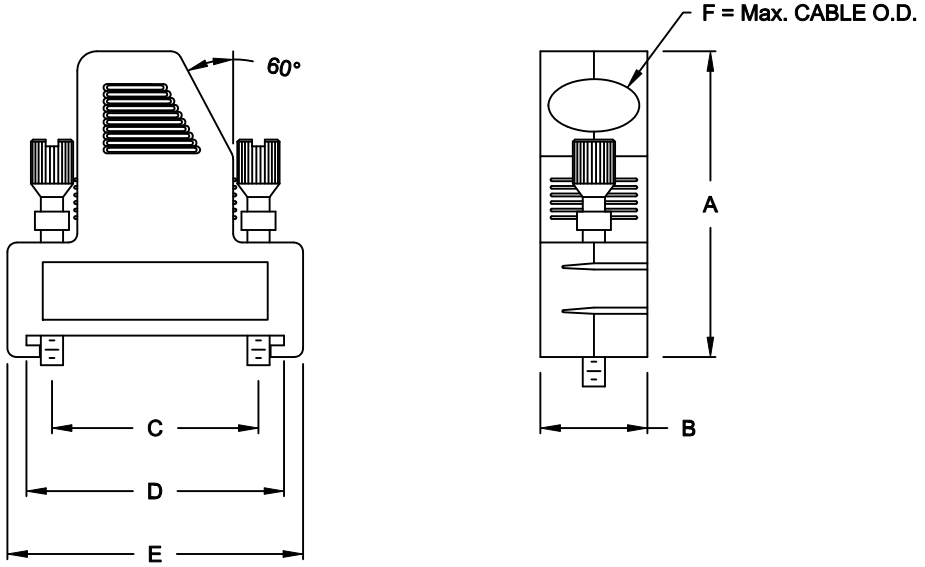
DESCRIPTION: 60° ENTRY - METALIZED PLASTIC

SPECIFICATIONS:

MATERIAL: ABS/PC, UL94-HB
 PLATING: NICKEL OVER COPPER

BACKSHELL KIT INCLUDES:

- (2) BACKSHELL HALVES
- (1) STRAIN RELIEF CLAMP
- (2) STRAIN RELIEF SCREWS
- (2) THUMBSCREWS



DIMENSIONS (IN.)						
No. OF PINS	A	B	C	D	E	F
09	1.457	0.496	0.984	1.228	1.409	0.354
15	1.496	0.496	1.311	1.555	1.736	0.354
25	1.614	0.496	1.854	2.098	2.280	0.354
37	1.614	0.496	2.500	2.744	2.925	0.354

951-YYY-020R121

SERIES _____

POSITIONS _____

009 _____

015 _____

025 _____

037 _____

MATERIAL _____

020 = METALIZED PLASTIC

RoHS COMPLIANT _____

R = HIGH TEMP. PROCESS

COLOR _____

12 = METAL(IZED)

PUT-UP _____

1 = KIT

DO NOT SCALE FROM DRAWING

	THESE DRAWINGS AND SPECIFICATIONS ARE THE PROPERTY OF NorComp AND SHALL NOT BE REPRODUCED, COPIED OR USED AS THE BASIS FOR THE MANUFACTURE OF SALE OF APPARATUS WITHOUT WRITTEN PERMISSION.		DRAWN: C. SMITH	DATE: 03-26-07
			CHECKED:	DATE:
<h1>NorComp</h1>		SCALE: 1 : 1	SHEET 1 OF 1	REV 2
		DWG NO. 951-YYY-020R121		

RoHS COMPLIANT