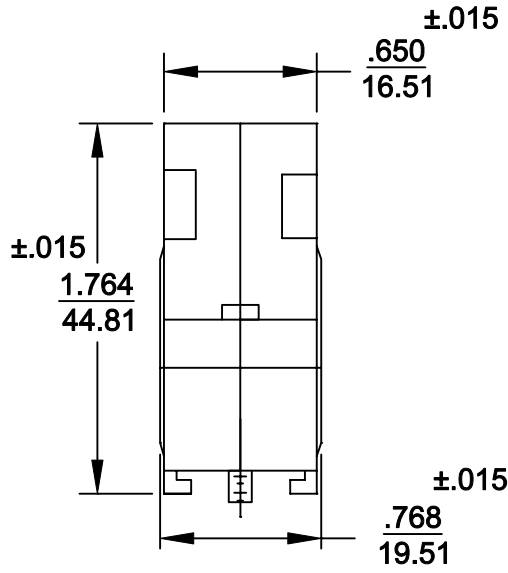
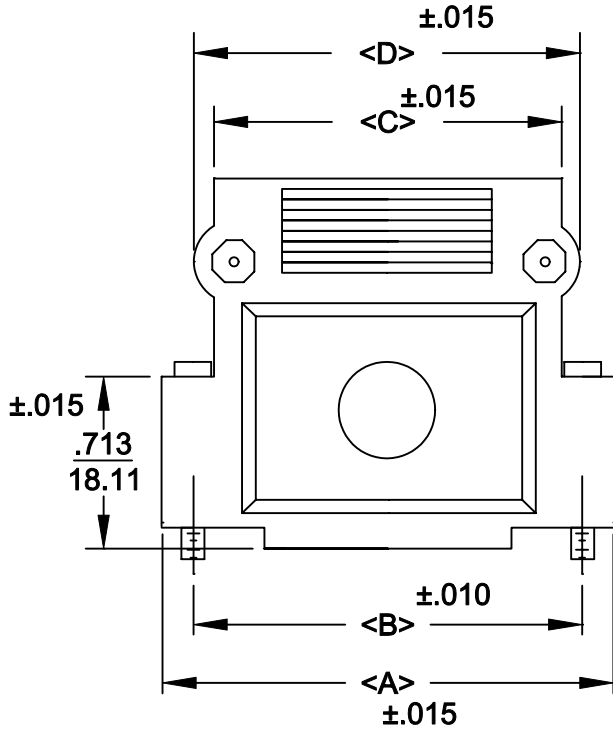


DESCRIPTION: 976 SERIES

- BACKSHELL KIT INCLUDES:**
 (2) BACKSHELL HALVES
 (2) 4-40 MATING SCREWS
 (2) HOUSING SCREWS
 (2) HOUSING NUTS



976-XXX-XXXRXX1

SERIES _____
 POSITIONS _____
 009
 015
 025
 037
 MATERIAL _____
 010 = PLASTIC
 020 = METALIZED PLASTIC
 COLOR: _____
 03 = GREY
 12 = NICKEL OVER COPPER
 PUT-UPS _____
 1 = KIT

POS.	A	B	C	D
9	1.319	.984	.758	.946
	33.50	24.99	19.25	24.03
15	1.622	1.312	1.102	1.289
	41.20	33.32	27.99	32.74
25	2.157	1.852	1.642	1.874
	54.79	47.04	41.71	47.60
37	2.815	2.500	2.283	2.470
	71.50	63.50	57.99	62.74

METALIZED PLASTIC:
 MATERIALS: ABS HIGH TEMPERATURE PLASTIC 94HB
 PLATING: CHROME - ELECTROPLATED
PLASTIC:
 MATERIALS: ABS HIGH TEMPERATURE PLASTIC 94HB - GREY
 RoHS COMPLIANT

	THESE DRAWINGS AND SPECIFICATIONS ARE THE PROPERTY OF NorComp AND SHALL NOT BE REPRODUCED, COPIED OR USED AS THE BASIS FOR THE MANUFACTURE OR SALE OF APPARATUS WITHOUT WRITTEN PERMISSION.		DRAWN: PAM JENKINS	DATE: 7-28-05
			CHECKED:	DATE:
NorComp		SCALE	SHEET	OF
		DWG NO.		REV
		976-XXX-0X0RXX1		1