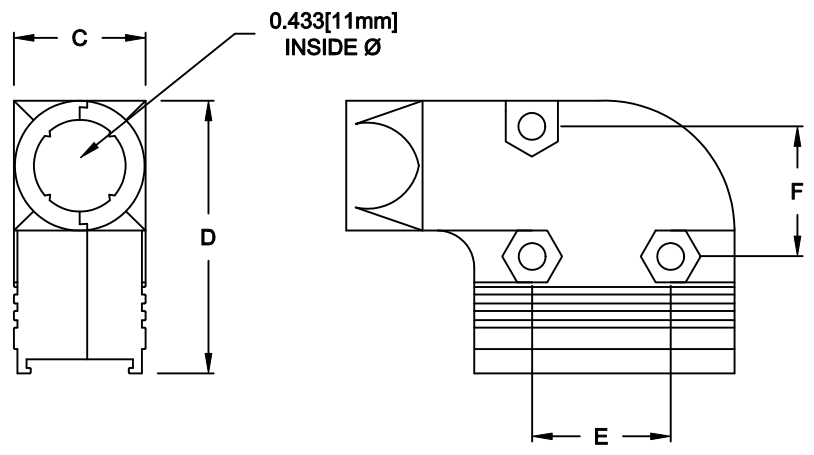
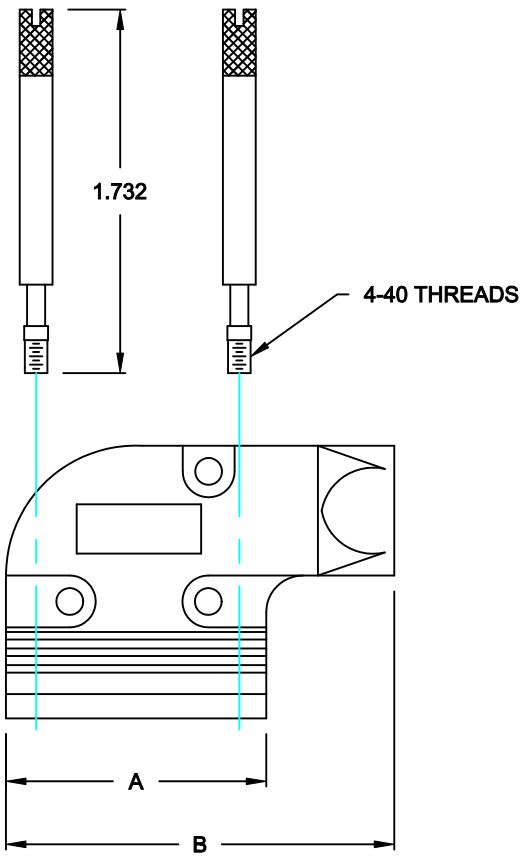


DESCRIPTION: 981 SERIES RIGHT ANGLE BACKSHELL

DIMENSIONS (IN.)						
No. OF PINS	A	B	C	D	E	F
9	1.265	1.850	0.628	1.300	0.610	0.625
15	1.580	2.314	0.639	1.300	0.995	0.620
25	2.143	2.870	0.633	1.300	1.528	0.606



BACKSHELL KIT INCLUDES:

- (2) BACKSHELL HALVES
- (3) HOUSING SCREWS & NUTS
- (2) THUMBSCREWS
- (1) GROMMET TREE (NON-CONDUCTIVE)

981-YYY-130R121

POSITIONS
009
015
025

1 = THUMBSCREWS

MATERIAL
30 = ZINC

COLOR
12 = NICKEL OVER COPPER

PUT-UPS
1 = KIT

DO NOT SCALE FROM DRAWING

	THESE DRAWINGS AND SPECIFICATIONS ARE THE PROPERTY OF NorComp AND SHALL NOT BE REPRODUCED, COPIED OR USED AS THE BASIS FOR THE MANUFACTURE OF SALE OF APPARATUS WITHOUT WRITTEN PERMISSION.		DRAWN: C. SMITH	DATE: 02-16-07
			CHECKED: X	DATE: X
<h1>NorComp</h1>			SCALE: FULL	SHEET 1 OF 1
			DWG NO. 981-YYY-130R121	

RoHS COMPLIANT