

DESCRIPTION: **994 SERIES ETHERNET STRAIGHT BACKSHELL**

BACKSHELL KIT INCLUDES:

- (2) BACKSHELL HALVES
- (2) HOUSING SCREWS
- (2) HOUSING NUTS
- (2) STRAIN RELIEF CLAMPS
- (2) STRAIN RELIEF SCREWS

994-YYY-YYYRY1

SERIES _____

POSITIONS _____

009

015

025

MATERIAL _____

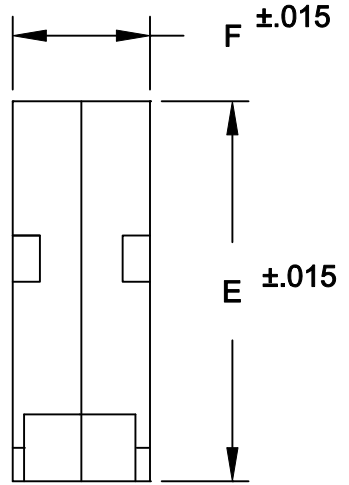
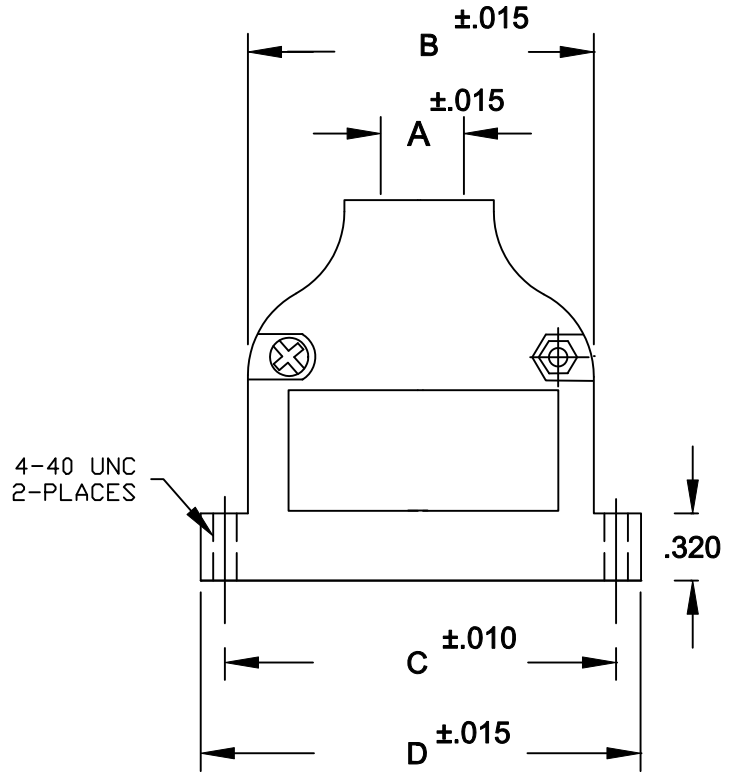
030 = ZINC

COLOR: _____

12 = NICKEL OVER COPPER

PUT-UPS _____

1 = KIT



SIZE	A	B	C	D	E	F
9 POS	.433	.790	.984	1.244	1.82	.614
15 POS	.433	1.135	1.312	1.575	1.82	.665
25 POS	.433	1.640	1.852	2.106	1.82	.630

MATERIAL: DIE-CAST ZINC ALLOY

NICKEL PLATED

RoHS COMPLIANT

	THESE DRAWINGS AND SPECIFICATIONS ARE THE PROPERTY OF NorComp AND SHALL NOT BE REPRODUCED, COPIED OR USED AS THE BASIS FOR THE MANUFACTURE OR SALE OF APPARATUS WITHOUT WRITTEN PERMISSION.		DRAWN: PAM JENKINS	DATE: 9-15-05
				CHECKED:
NorComp		SCALE	SHEET OF	REV 3
		DWG NO. 994-0YY-030R121		