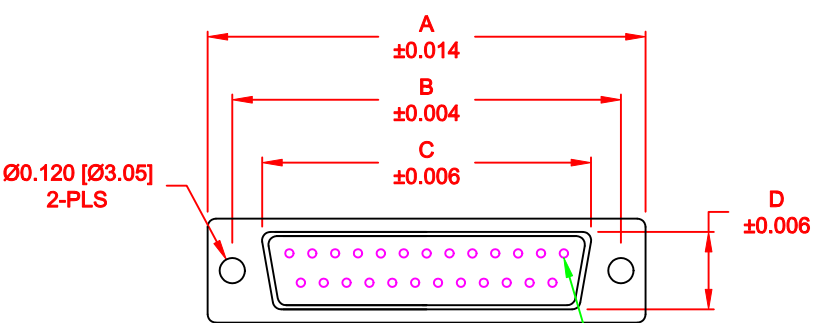
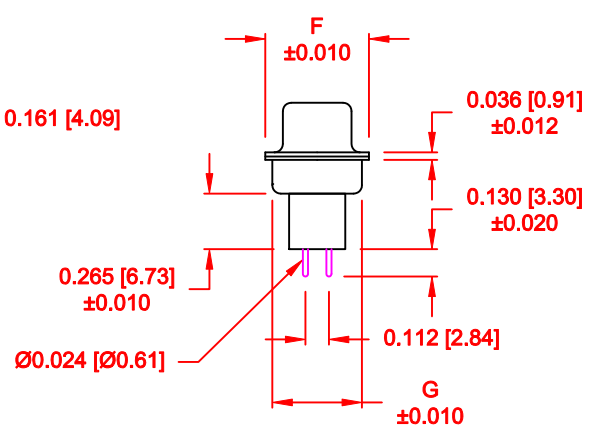
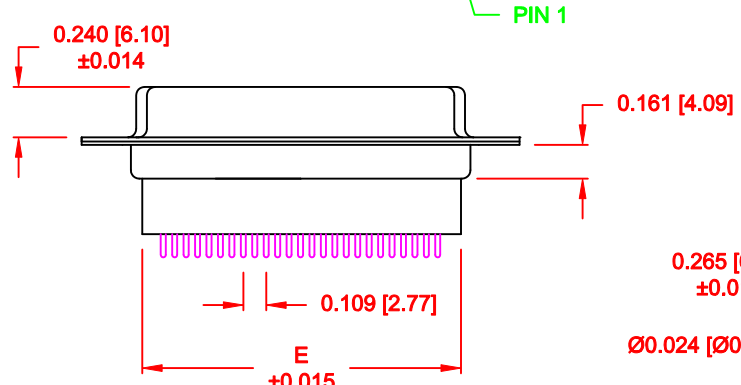


DESCRIPTION: FEMALE - DIP SOLDER - HIGH PROFILE

| No. OF PINS | DIMENSIONS |       |       |       |       |       |       |
|-------------|------------|-------|-------|-------|-------|-------|-------|
|             | A          | B     | C     | D     | E     | F     | G     |
| 9           | 1.213      | 0.984 | 0.642 | 0.315 | 0.618 | 0.496 | 0.429 |
|             | 30.80      | 24.99 | 16.30 | 8.00  | 15.70 | 12.60 | 10.90 |
| 15          | 1.541      | 1.312 | 0.969 | 0.315 | 0.933 | 0.496 | 0.429 |
|             | 39.15      | 33.32 | 24.60 | 8.00  | 23.70 | 12.60 | 10.90 |
| 25          | 2.088      | 1.852 | 1.512 | 0.315 | 1.496 | 0.496 | 0.429 |
|             | 53.04      | 47.04 | 38.40 | 8.00  | 38.00 | 12.60 | 10.90 |
| 37          | 2.729      | 2.500 | 2.157 | 0.315 | 2.142 | 0.496 | 0.429 |
|             | 69.32      | 63.50 | 54.80 | 8.00  | 54.40 | 12.60 | 10.90 |
| 50          | 2.635      | 2.406 | 2.059 | 0.425 | 2.039 | 0.602 | 0.535 |
|             | 66.93      | 61.11 | 52.30 | 10.80 | 51.80 | 15.30 | 13.60 |



3 ROWS →



172-YYY-28YLYY1

- SERIES \_\_\_\_\_
- POSITIONS \_\_\_\_\_
- 009 \_\_\_\_\_
- 015 \_\_\_\_\_
- 025 \_\_\_\_\_
- 037 \_\_\_\_\_
- 050 \_\_\_\_\_
- GENDER \_\_\_\_\_
- 2 = FEMALE \_\_\_\_\_
- TERMINATION \_\_\_\_\_
- 8 = HIGH PROFILE VERTICAL \_\_\_\_\_
- SHELL PLATING \_\_\_\_\_
- 3 = NICKEL \_\_\_\_\_
- RoHS COMPLIANT \_\_\_\_\_
- HARDWARE OPTIONS \_\_\_\_\_
- 00 = NO HARDWARE \_\_\_\_\_
- 01 = .098" CLINCH NUT (BOARD SIDE) \_\_\_\_\_
- 02 = .236" CLINCH NUT (BOARD SIDE) \_\_\_\_\_
- 03 = .236" CLINCH NUT (MATING SIDE) \_\_\_\_\_
- PLATING OPTIONS \_\_\_\_\_
- 1 = GOLD FLASH \_\_\_\_\_
- 2 = 30u" GOLD \_\_\_\_\_

**MATERIAL:**

- SHELL: STEEL, NICKEL PLATED
- INSULATOR: UL 94V-O RATED, PBT-BLACK
- PROCESS TEMP.: 230°C
- CONTACTS: BRASS - GOLD PLATED

**ELECTRICAL:**

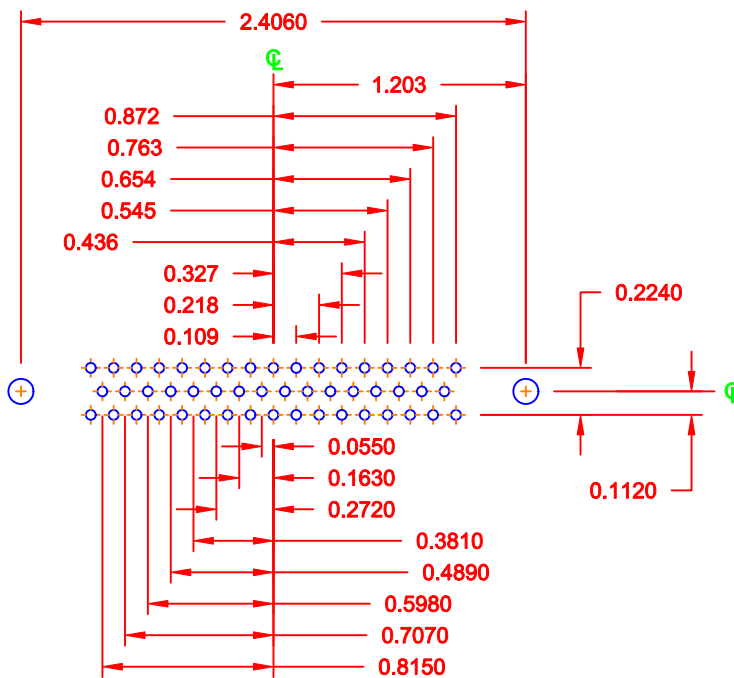
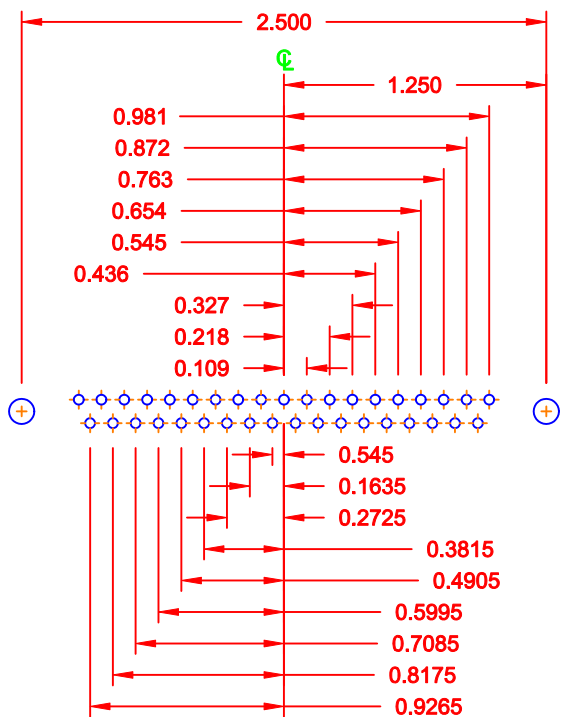
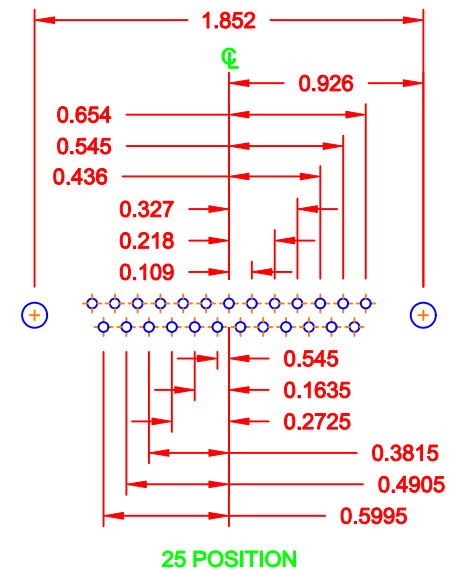
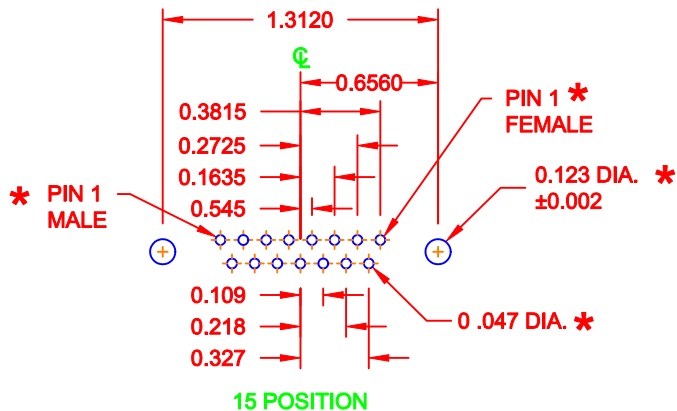
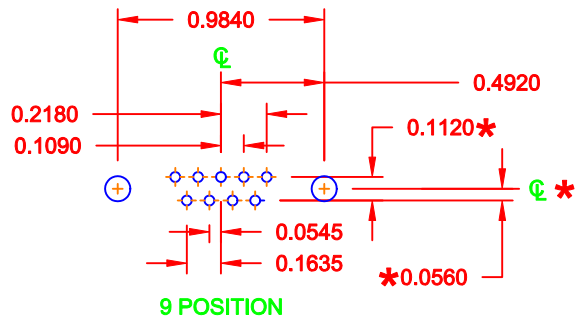
- CURRENT RATING: 5 AMPS
- CONTACT RESISTANCE: 15 mOhms Max.
- INSULATION RESISTANCE: 1,000 MOhms min.
- VOLTAGE: 500VAC FOR 1 MINUTE
- TEMPERATURE: -50° C TO 125° C

DO NOT SCALE FROM DRAWING

RoHS COMPLIANT

|         |   |                         |                      |                |
|---------|---|-------------------------|----------------------|----------------|
|         | THESE DRAWINGS AND SPECIFICATIONS ARE THE PROPERTY OF NorComp AND SHALL NOT BE REPRODUCED, COPIED OR USED AS THE BASIS FOR THE MANUFACTURE OF SALE OF APPARATUS WITHOUT WRITTEN PERMISSION. |                         | DRAWN: WAYNE ROBBINS | DATE: 08-23-98 |
|         |   |                         | CHECKED:             | DATE:          |
| NorComp |   | SCALE: 1 : 1            | SHEET 1 OF 3         | REV 15         |
|         |   | DWG NO. 172-YYY-28YLYY1 |                      |                |

DESCRIPTION: PCB LAYOUT - STANDARD "D" - MALE & FEMALE



\* TYP. ON ALL SIZES

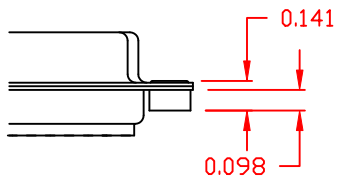
DO NOT SCALE FROM DRAWING

|                |   |                            |                        |                       |
|----------------|---|----------------------------|------------------------|-----------------------|
|                | THESE DRAWINGS AND SPECIFICATIONS ARE THE PROPERTY OF NorComp AND SHALL NOT BE REPRODUCED, COPIED OR USED AS THE BASIS FOR THE MANUFACTURE OF SALE OF APPARATUS WITHOUT WRITTEN PERMISSION. |                            | DRAWN: <b>C. SMITH</b> | DATE: <b>03-08-06</b> |
|                |   |                            | CHECKED:               | DATE:                 |
| <b>NorComp</b> | SCALE: <b>FULL</b>  | SHEET <b>2</b> OF <b>3</b> | REV <b>15</b>          |                       |
|                | DWG NO. <b>172-YYY-28YLYY1</b>  |                            |                        |                       |

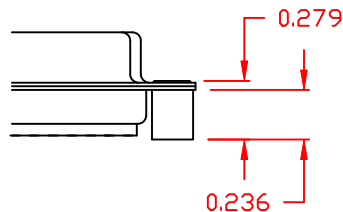
**TOLERANCE:**  
ALL DIMENSIONS ARE  $\pm 0.010$

**ALL CLINCH-NUTS ARE 4-40 INTERNAL THREADS**

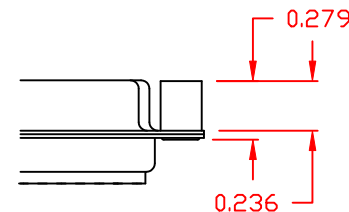
01X ..... 0.065" (BOARD SIDE) - CN1



02X ..... 0.236" (BOARD SIDE) - CN2




03X..... 0.236" (MATING SIDE) - CN8



**DO NOT SCALE FROM DRAWING**

**RoHS COMPLIANT**

|  |   |  |                                |                            |               |
|--|---|--|--------------------------------|----------------------------|---------------|
|  | THESE DRAWINGS AND SPECIFICATIONS ARE THE PROPERTY OF NorComp AND SHALL NOT BE REPRODUCED, COPIED OR USED AS THE BASIS FOR THE MANUFACTURE OF SALE OF APPARATUS WITHOUT WRITTEN PERMISSION. |  | DRAWN:<br><b>WAYNE ROBBINS</b> | DATE:<br><b>11-28-05</b>   |               |
|  |   |  | CHECKED:                       | DATE:                      |               |
| NorComp  |   |  | SCALE:                         | SHEET <b>3</b> OF <b>3</b> | REV <b>15</b> |
|  |   |  | DWG NO. <b>172-YYY-28YLYY1</b> |                            |               |